


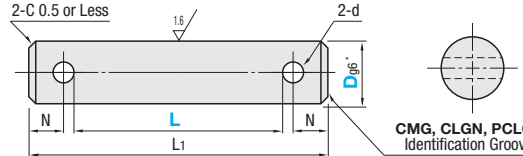
Pivot Pins

With Cotter Pins - Configurable / Selectable Dimensions



Type	Material	Hardness	Surface Treatment	Accessories
CMG, CLGN	1045 Carbon Steel	-	Black Oxide	Cotter Pin 2 pcs. MSWRM Low Carbon Steel
CMGH, CLGHN		40-45HRC		
PCLGN	1045 Carbon Steel	-	Electroless Nickel Plating	MS304 Stainless Steel
PCLGHN		40-45HRC		
GCLGN	1045 Carbon Steel	Plating Hardness 750HV	Hard Chrome Plating Plating Thickness 3um or more	MSWRM Low Carbon Steel
SCMG, SCLGN	304 Stainless Steel	-		MS304 Stainless Steel
SCLGHN	440C Stainless Steel	45-50HRC		MS304 Stainless Steel

D Tolerance (g6)	Value
3	-0.002 to -0.008
4-6	-0.004 to -0.012
8, 10	-0.005 to -0.014
12-18	-0.006 to -0.017
20-25	-0.007 to -0.020



2-C 0.5 or Less, 1.5, 2-d, Dg6, N, L, L1

CMG, CLGN, PCLGN Identification Groove

*Dg6 Tolerance is available for L dimensions only. Others are general tolerance.
 *CMG, CLGN, PCLGN There are identification grooves on the side to be distinguished from Hardened Type.

L Dimension Selectable

Part Number	Type	D	L	L1	N	d	Attached Cotter Pin		Unit Price		
							CMG, CMGH	SCMG	CMG	CMGH	SCMG
CMG	(The L dimensions marked with * are not available.)	3	10 12 14 15 16 18 20	L+4.8	2	0.8	NPN0.8-8	NSPN0.8-8			
4		10 12 14 15 16 18 20	L+6	2.5	1	NPN1-10	NSPN1-10				
5		10 12 14 15 16 18 20	L+7.2	3	1.2	NPN1.2-10	NSPN1.2-10				
CMGH	(Hardened)	6	15 16 18 20 22 24 25 30	L+8.6	3.5	1.6	NPN1.6-10	NSPN1.6-10			
8		18 20 22 24 25 30 35 40 45 50	L+10	4	2	NPN2-12	NSPN2-12				
SCMG	(Stainless Steel)	10		L+12.5	5	2.5	NPN2.5-15	NSPN2.5-15			
12			L+15.2	6	3.2	NPN3.2-20	NSPN3.2-20				

L Dimension Configurable (0.1mm Increment)

Part Number	Type	D	L=0.1mm Increment	L1	N	d	Attached Cotter Pin		Unit Price								
							CLGN, CLGHN, GCLGN	PCLGN, PCLGHN, SCLGN, SCLGHN	CLGN	CLGHN	PCLGN	PCLGHN	GCLGN	SCLGN	SCLGHN		
CLGN, CLGHN, PCLGN, PCLGHN, GCLGN, SCLGN, SCLGHN	3	5.0-50.0	L+4.8	2	0.8	NPN0.8-8	NSPN0.8-8										
	4		L+6	2.5	1	NPN1-10	NSPN1-10										
	5		L+7.2	3	1.2	NPN1.2-10	NSPN1.2-10										
	6	10.0-100.0	L+8.6	3.5	1.6	NPN1.6-10	NSPN1.6-10										
	8		L+10	4	2	NPN2-12	NSPN2-12										
	10	15.0-110.0	L+12.5	5	2.5	NPN2.5-15	NSPN2.5-15										
	12		L+15.2	6	3.2	NPN3.2-20	NSPN3.2-20										
	13	25.0-200.0	L+18	7	4												
	14																
	15																
	16																
	17	30.0-200.0	L+22	8.5	5												
18																	
20																	
22																	
25																	

*SCLGHN may be discolored by hardening.

Ordering Example: Part Number - L

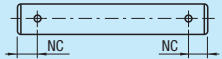
CMG8 - 30
CLGN15 - 120.3

Alterations: Part Number - L - (NC)

CLGN15 - 120.3 - NC3

*Applicable to L Dimension Configurable Type.

Cotter Pin Hole Position

Alteration: 

Code: NC

Spec.:

Ordering Code	NC3
D	NC (Selection Range)
3	1.5
4	1.5 2
5	1.5 2 2.5
6, 8	2 2.5 3
10	2.5 3 4
12	3 4 5
13-18	3 4 5 6
20-25	4 5 6 7

*L1=L+NCx2+d


Price Adder

Days to Ship: [Configure Online](#)

Price: [Configure Online](#)

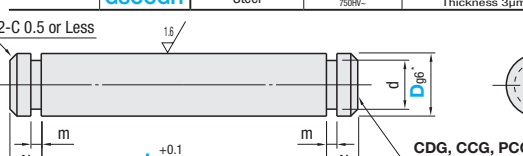
Pivot Pins

With Retaining Rings - Configurable / Selectable Dimensions



Type	Material	Hardness	Surface Treatment	Accessories
CDG, CCG	1045 Carbon Steel	-	Black Oxide	Retaining Ring 2 pcs. Spring Steel
CDGH, CCGH		40-45HRC		
PCCG	1045 Carbon Steel	-	Electroless Nickel Plating	MS304 Stainless Steel
PCCGH		40-45HRC		
GCCG	1045 Carbon Steel	Plating Hardness 750HV	Hard Chrome Plating Plating Thickness 3um or more	Spring Steel
SCDG, SCCG	304 Stainless Steel	-		MS304 Stainless Steel
SCCGH, GCCGH	440C Stainless Steel	45-50HRC		MS304 Stainless Steel

D Tolerance (g6)	Value
2, 3	-0.002 to -0.008
4-6	-0.004 to -0.012
8, 10	-0.005 to -0.014
12-18	-0.006 to -0.017
20-25	-0.007 to -0.020



2-C 0.5 or Less, 1.5, 2-d, Dg6, N, L, L1, m

CDG, CCG, PCCG Identification Groove

*Dg6 Tolerance is available for L dimensions only. Others are general tolerance.
 *CDG, CCG, PCCG There are identification grooves on the side to be distinguished from Hardened Type.

L Dimension Selectable

Part Number	Type	D	L	m	N	d	Attached Retaining Ring		Unit Price		
							Shape	JIS Nominal*	CDG	CDGH	SCDG
CDG	(Hardened)	3	10 12 14 15 16 18 20 22 24 25 30	0.5	2	+0.05	E Type	No. 2			
4		No. 3									
5		No. 4									
CDGH		6	15 16 18 20 22 24 25 30 35 40 45 50	0.7	2	+0.1	E Type	No. 5			
8		No. 7									
SCDG	(Stainless Steel)	10	18 20 22 24 25 30 35 40 45 50	0.9	3	+0.09	C Type	No. 10			
12		No. 12									
15		No. 15									
18		L+11.5		1.15	4	0		No. 12			

* For details P2009

L Dimension Configurable (0.1mm Increment)

Part Number	Type	D	L=0.1mm Increment	m	N	d	Attached Retaining Ring		Unit Price							
							Shape	JIS Nominal*	CCG	CCGH	PCCG	PCCGH	GCCG	SCCG	SCCGH	GSCCGH
CCG, CCGH, PCCG, PCCGH, GCCG, SCCG, SCCGH, GSCCGH	2	5.0-30.0	L+0.5	0.5	2	+0.05	E Type	No. 1.5								
	3								No. 2							
	4								No. 3							
	5	10.0-60.0	L+0.7	0.7	2	+0.1	E Type	No. 4								
	6								No. 5							
	8	10.0-100.0	L+0.9	4	3	0	C Type	No. 7								
	10								No. 10							
	12								No. 12							
	13								No. 13							
	14	25.0-200.0	L+1.5	7	4	+0.14	C Type	No. 14								
	15								No. 15							
	16								No. 16							
17	No. 17															
18	30.0-200.0	L+1.8	8	5	0	C Type	No. 18									
20								No. 20								
22								No. 22								
25								No. 25								

* For details P2009 *SCCGH and GSCCGH may be discolored by hardening.

Ordering Example: Part Number - L


CDG8 - 30
CCG15 - 120.3

Alterations: Part Number - L - (NC)

CCG15 - 120.3 - NC3

*Applicable to L Dimension Configurable Type.

Retaining Ring Groove Position

Alteration: 

Code: NC

Spec.:

Ordering Code	NC3
D	NC (Selection Range)
2-4	1.5-3
5	1.7-3
6	1.9-4
8	2.4-5
10-18	2.7-5
20-25	2.9-5

* Overall Length is L+NCx2.

Price Adder

Days to Ship: [Configure Online](#)

Price: [Configure Online](#)