

Rollers

With Bearings (L=15~100)

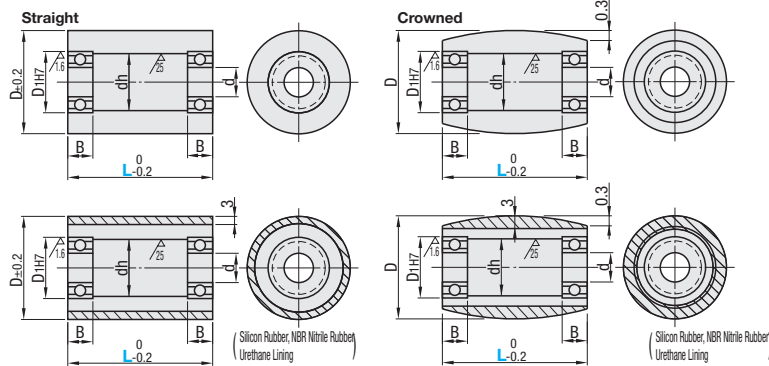


RoHS

Type		Material Core	Surface Treatment (Lining)	Bearing	Hardness
Straight L Selectable	Crowned L Selectable				
RORB	ROCRB	1045 Carbon Steel	Black Oxide	Steel	-
RORM	ROCRM	304 Stainless Steel	Electroless Nickel Plating		
RORS	ROCRS	5052 Aluminum Alloy	Clear Anodize	Steel	Shore A95
RORA	ROCRA	304 Stainless Steel			
RORKS	-	5052 Aluminum Alloy	Urethane (Natural Color)	Stainless Steel	Shore A90
RORKA	-	304 Stainless Steel			
RORUS	ROFRUS	5052 Aluminum Alloy	MC Nylon	Steel	Shore A70
RORUA	ROCRUA	304 Stainless Steel			
RORUP	-	5052 Aluminum Alloy	304 Stainless Steel	Steel	Shore A50
RORGS	ROCRGS	304 Stainless Steel			
RORGA	ROCRGA	5052 Aluminum Alloy	304 Stainless Steel	Steel	Shore A70
RORHS	ROCRHS	304 Stainless Steel			
RORHA	ROFRHA	5052 Aluminum Alloy	304 Stainless Steel	Steel	Shore A70
RORSS	ROCRSS	304 Stainless Steel			
RORSA	-	5052 Aluminum Alloy	Silicon Rubber (Light Gray)	Steel	Shore A50
RORJS	-	304 Stainless Steel			
RORJA	-	5052 Aluminum Alloy	Silicon Rubber (White)	Steel	Shore A70
RORWS	-	304 Stainless Steel			
RORTS	ROFRTS	304 Stainless Steel	Heat Resistant Urethane (Red Brown) Operating Temperature: ~110°C	Steel	Shore A90
RORTA	-	5052 Aluminum Alloy			
RORNS	-	304 Stainless Steel	NBR Nitrile Rubber (Black)	Steel	Shore A60
RORNA	-	5052 Aluminum Alloy			

Urethane, Silicon Rubber and NBR Nitrile Rubber are baked on the roller's outer diameter.

6.3 / (25 / 15)



For detailed bearing dimensions, see P.877, 879

Type			No.	D	L	d	D1 (H7)	dh	B	Bearing Used
Straight Core Material Only	Silicon Rubber	Crowned Core Only	(20)	20	15 20 25 30 40 50	6	15	10	5	696ZZx2
				25	20 25 30 40 50 60 70 80 90 100	6	15	10	5	696ZZx2
				30	20 25 30 40 50 60 70 80 90 100	8	19	15	6	698ZZx2
				35A	25 30 40 50	8	22	15	7	608ZZx2
Urethane	Heat Resistant Urethane	Urethane		35	25 30 40 50 60 70 80 90 100	10	22	18	6	6900ZZx2
				40A	25 30 40 50	10	26	18	8	6000ZZx2
				40	25 30 40 50 60 70 80 90 100	12	28	24	8	6001ZZx2
				50A	25 30 40 50	12	32	24	10	6201ZZx2
	50	25 30 40 50 60 70 80 90 100	15	32	28	9	6002ZZx2			

D20 is only applicable to Core Only Types (RORB, RORM, RORS, RORA, ROCRB, ROCRM, ROCRS and ROCRGA).
No.35A, 40A, 50A are not available for RORUP.

Type		No.	D	L=1mm Increment	d	D1 (H7)	dh	B	Bearing Used
Urethane	Silicon Rubber	25	25	21~49	6	15	10	5	696ZZx2
		30	30		8	19	15	6	698ZZx2
		35A	35	26~49	8	22	18	7	608ZZx2
		35	10		26	18	6	6900ZZx2	
		40A	40		12	28	8	6000ZZx2	
		40	12		28	24	8	6001ZZx2	
	50A	50	26~99	12	32	24	10	6201ZZx2	
	50	15		32	28	9	6002ZZx2		

Urethane may discolor over time, but there is no effect on physical properties.

Ordering Example
 Part Number - L
 RORB30 - 30
 ROFRSS40 - 38

Days to Ship
 Configure Online

Price
 Configure Online

D	L	Unit Price																		
		Straight																		
		Core Only				Urethane				Silicon										
		RORB	RORM	RORS	RORA	RORKS	RORKA	RORUS	RORUZ	RORUA	RORUP	RORGS	RORGA	RORHS	RORHA	RORSS	RORSA	RORJS	RORJA	RORWS
20	15-25																			
	30-50																			
25	20-25																			
	30-50																			
30	60-100																			
	20-25																			
35	30-50																			
	60-100																			
40	25																			
	30-50																			
40A	60-100																			
	25																			
50	30-50																			
	60-100																			

D	L	Unit Price																		
		Straight		Crowned		Core Only				Urethane			Silicon							
		Heat Resistant Urethane	NBR Nitrile Rubber	RORTS	RORTA	RORNS	RORNA	ROCRB	ROCRM	ROCRS	ROCRGA	ROCRUS	ROCRUA	ROCRGA	ROCRGS	ROCRHS	ROCRSS			
20	15-25																			
	30-50																			
25	20-25																			
	30-50																			
30	20-25																			
	30-50																			
35	25																			
	30-50																			
40	25																			
	30-50																			
40A	30-50																			
	25																			
50	30-50																			
	60-100																			

D	L	Unit Price					
		Straight					
		Urethane		Silicon	Heat Resistant Urethane		
		ROFRUS	ROFRUA	ROFRGA	ROFRHA	ROFRSS	ROFRTS
25	21-25						
	26-49						
30	21-25						
	26-49						
35	26-49						
	26-49						
40	26-49						
	26-49						
50	26-50						
	51-99						

Alterations
 Part Number - L - (UDC, SB)
 RORNS40 - 50 - SB

Alterations	Code	Spec.	Price Adder	Alterations	Code	Spec.	Price Adder
Change to Antistatic Urethane (Urethane Color: Gray)	UDC	Urethane Shore90 is changed to Antistatic Urethane [Ordering Code]UDC Specific Volume Resistivity 2.1x10 ⁹ Ω·cm Surface Resistivity 4.0x10 ⁹ Ω (Temperature 30°C / Humidity 60%)		Bearing Material	SB	Bearing material is changed to Stainless Steel [Ordering Code]SB ⊗Not applicable to RORUZ	D20, 25 D30 D35 D40 D50