

[High Precision] Cross Roller Micrometer Head

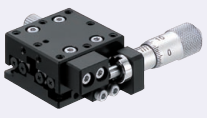
Other Information about Stages
 Stage Selection Table P.1639, P.1640
 New Products P.1641
 About Standard Stages P.1642
 Overview, Technical Information P.1643, P.1644

[High Precision] Cross Roller / Linear Guide Long Stroke

Other Information about Stages
 Stage Selection Table P.1639, P.1640
 New Products P.1641
 About Standard Stages P.1642
 Overview, Technical Information P.1643, P.1644

Feature: High precision lightweight X-Axis Stages with Cross Roller slides.

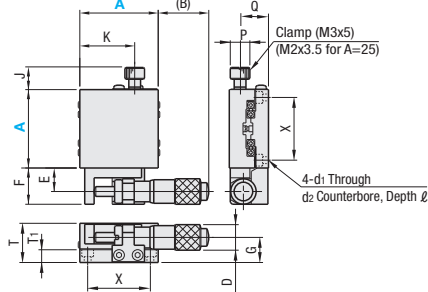
X-Axis **RoHS** **XPG**



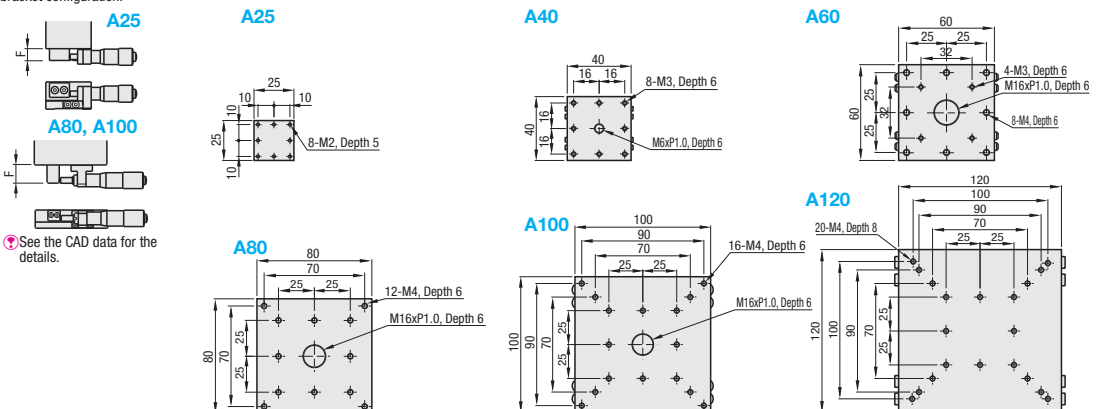
XY-Axis P.1699
Z-Axis P.1710

A25, 80, and 100 have different feed bracket configuration.

Mounting Hole Dimensions of the Top Table



Clamp (M3x5) (M2x3.5 for A=25)
4-d1 Through
d2 Counterbore, Depth l



Material: Aluminum Alloy
Surface Treatment: Black Anodize

Standard Stages Similar Products (available for limited sizes only): XCRS (P.1657)

Part Number Type	Top View			Front View					Side View									
	A	(B)	Travel Distance (mm)	E	F	J	K	D	G	T	T1	P	Q	X	d1	d2	l	
XPG	25	25	±3.2	4.5	6.5	6.8	15.0	15.0	9.3	8.5	15	4.5	6	10.5	20	2.5	4.2	2.0
	40	26	±6.5	12.0	18.5	11.5	28.0	13.0	13.0	20	6.5	10	14.5	32	3.5	6.0	3.5	
	60	20	±6.5	12.0	18.5	11.5	42.5	13.0	13.0	20	6.5	10	14.5	50	4.5	8.0	4.0	
	80	43.5	±12.5	17.0	22.0	11.5	55.0	18.0	11.0	20	5.7	10	14.5	70	4.5	8.0	4.5	
	100	28.5	±12.5	17.0	22.0	11.5	67.5	18.0	11.0	20	5.7	10	14.5	90	4.5	8.0	4.5	
	120	67.5	±25	13.0	20.0	11.5	67.5	21.0	18.0	30	9.5	10	18.0	100	4.5	8.0	4.5	

A	Stage Surface (mm)	Load Capacity (N)		Accuracy		Moment Load Capacity (N-m)			Moment Rigidity (N/cm)			Parallelism	Weight (kg)	Accessories (4 pcs.) Type M-L	Unit Price 1-9 pcs.		
		Horizontal	Vertical	Straightness	Parallelism	Pitching	Yawing	Pitching	Yawing	Rolling	Pitching					Yawing	Rolling
25	25x25	9.8	4.9	3µm	10µm	25"	15"	1.1	0.8	0.4	3.03	2.85	1.80	30µm	SCB2-6	1-9 pcs.	
40	40x40	19.6	9.8					2.7	2.2	2.0	0.38	0.42	0.28		0.14		SCB3-6
60	60x60	49.0	19.6					5.2	4.3	5.5	0.12	0.11	0.07		0.25		SCB4-6
80	80x80	98.0	49.0					19.2	15.1	17.3	0.05	0.05	0.04		0.50		SCB4-6
100	100x100	147.0	73.5					36.0	30.0	33.0	0.06	0.07	0.05		0.70		SCB4-6
120	120x120	196.0	98.0					57.2	44.7	66.7	0.03	0.02	0.01		1.60		SCB4-10

Micrometer Head Resolution: 10µm/division, Travel per Knob Rotation: 0.5mm

Ordering Example: Part Number XPG60 Days to Ship [Configure Online](#)


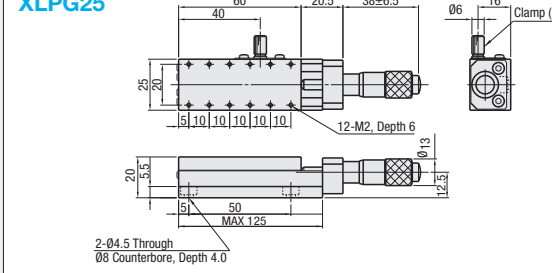
Alterations: Part Number XPG40 (CR, CZ, A, etc.) CZ [Configure Online](#)

Alterations	Micrometer Head Position					Disc Clamp	Reinforced Clamp	Opposed Clamp	No Micrometer Head
	Side Mount - Right / Left Reversed	Side Mount - Top / Bottom Reversed*	Center	Center	Center				
Spec.									
Code	CR	CZ	A	A	A	H	P	P	MN
Price Adder									

* CZ: Attach Micrometer on the upper table (Standard Type has them attached to the bottom plate).
 * Mounting dimensions of micrometer heads and clamps are different from those of standard products. See the CAD data for details.
 * When other micrometer head mounting positions are desired, select from the "Specification Selectable Type" on P.1711.
 * Knob Cover HDCVR13 (Sold Separately): Ø13 micrometer knob diameter can be increased by installing the cover. P.1683
 * Extension Cover HDEXT13 (Sold Separately): Ø13 micrometer head or feed screw knobs can be extended by installing the cover. P.1683
 * XPG_H, XPG_P, XPG_CR-H and XPG_CR-P will be discontinued in March 2013.

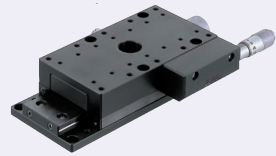
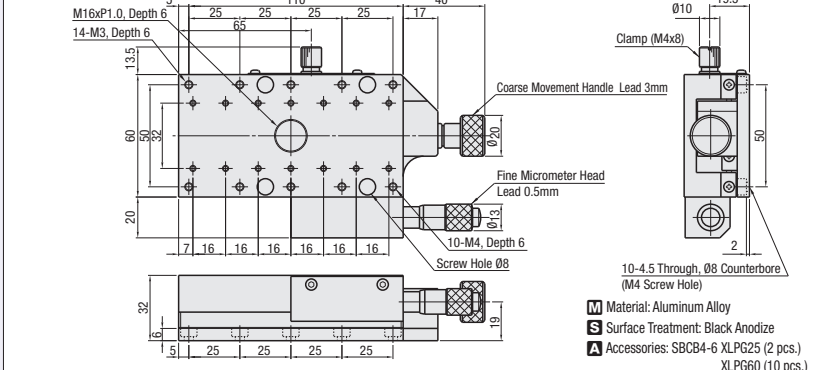
Feature: High precision long stroke stages with Cross Roller Guides. The XLPG60 has two knobs enabling Coarse Feed (3mm/rev.) and Fine Feed (0.5mm/rev.).

X-Axis, Long Stroke **RoHS** **XLPG25**

Clamp (M3x6) (M2x3.5 for A=25)
12-M2, Depth 6
2-Ø4.5 Through
Ø8 Counterbore, Depth 4.0

XLPG60

M16xP1.0, Depth 6
14-M3, Depth 6
Coarse Movement Handle Lead 3mm
Fine Micrometer Head Lead 0.5mm
10-M4, Depth 6
Screw Hole Ø8
10-4.5 Through, Ø8 Counterbore (M4 Screw Hole)
Clamp (M4x8)

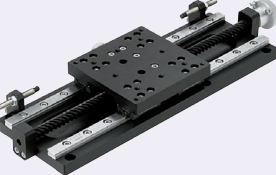
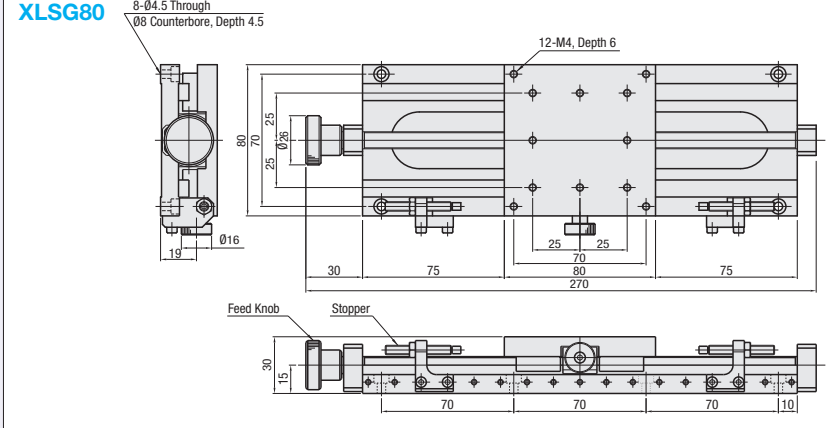
Material: Aluminum Alloy
Surface Treatment: Black Anodize
Accessories: SBCB4-6 XLPG25 (2 pcs.)
XLPG60 (10 pcs.)

Part Number Type	Stage Surface (mm)	Travel Distance (mm)	Load Capacity (N)	Accuracy				Moment Load Capacity (N-m)			Moment Rigidity (N/cm)			Parallelism	Weight (kg)	Unit Price 1-9 pcs.
				Horizontal	Straightness	Parallelism	Pitching	Yawing	Pitching	Yawing	Rolling	Pitching	Yawing			
XLPG	25	25x60	±6.5mm	19.6	3µm	10µm	25"	15"	3.8	3.2	1.5	0.19	0.19	1.38	30µm	0.1
	60	60x110	Coarse Feed ±20mm Fine Feed ±6.5mm	78.4					8.1	7.0	5.3	0.02	0.03	0.07		

Resolution (Micrometer Head): 10µm/division * XLPG60 max. stroke is 53mm.
 Knob Cover HDCVR13 (Sold Separately): Ø13 micrometer knob diameter can be increased by installing the cover. P.1683

Feature: 128mm stroke stages. Well suited for positioning and set-up changes of large and heavy objects.

X-Axis, Linear Guide **RoHS** **XLSG80**

8-Ø4.5 Through
Ø8 Counterbore, Depth 4.5
12-M4, Depth 6
Feed Knob
Stopper

Material: Aluminum Alloy
Surface Treatment: Black Anodize
Accessories: SCB4-10 (8 pcs.)

Part Number Type	Stage Surface (mm)	Travel Distance per Rotation (mm)	Travel Distance (mm)	Load Capacity (N)	Motion	Moment Load Capacity (N-m)			Parallelism	Weight (kg)	Unit Price 1-4 pcs.
						Pitching	Yawing	Rolling			
XLSG	80	80x80	24	128mm	147	25µm	10.6	7.5	11.5	50µm	0.9

Travel Distance per Rotation: 24mm

Ordering Example: Part Number XLPG25 XLPG60 XLSG80 Days to Ship [Configure Online](#)

Alterations: Part Number XLPG25 - R XLPG60 - R XLSG80 - R [Configure Online](#)

Alteration	Clamp Position Change (Right / Left Reversed)
Code	R
Price Adder	

See the CAD data for the details.