

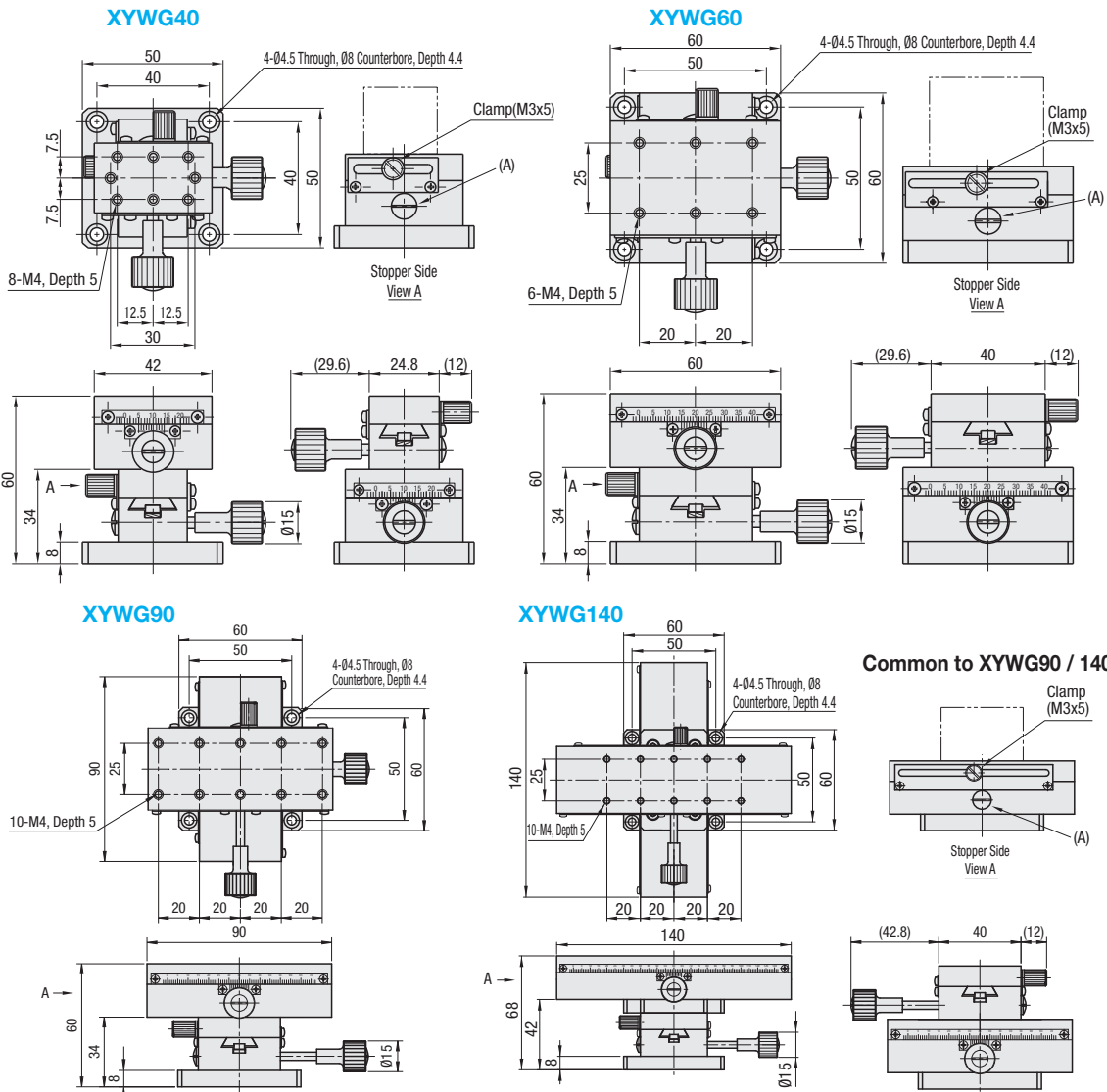
[High Precision] Dovetail Slide, Rack & Pinion Rectangular

Other Information about Stages
 Stage Selection Table P.1639, P.1640
 New Products P.1641
 About Standard Stages P.1642
 Overview, Technical Information P.1643, P.1644

Feature: Square Dovetail Slide Z-Axis Stages with 18mm travel per knob rotation. Can be utilized for smooth long distance moves.

XY-Axis, Rectangular

X-Axis P.1663
 Z-Axis P.1701



By turning the preload adjustment screw (A) clockwise with a flathead screw driver, the stage slide slowly, and by turning counterclockwise the stage slides quickly and smoothly.

M Material: Aluminum Alloy
 S Surface Treatment: Black Anodize

Standard Stages Similar Products (available for limited sizes only): XYDTS (P.1649)

Part Number Type	No.	Stage Surface (mm)	Travel Distance (mm)	Travel per Knob Rotation (mm)	Load Capacity (N)	Travel Accuracy Straightness (µm)	Weight (kg)	Unit Price 1-9 pc(s).
XYWG	40	24.8x42	±12	18	24.5	30µm	0.29	
	60	40x60	±21				0.51	
	90	40x90	±35				0.73	
	140	40x140	±60				1.08	

Resolution (Vernier Scale Indication): 0.1mm/division For orders larger than indicated quantity, please request a quotation.
 Knob Cover HDCVR15 (Sold Separately): Ø15 knobs can be increased in diameter by installing the cover. P.1666

Ordering Example Part Number XYWG90

Days to Ship

Configure Online

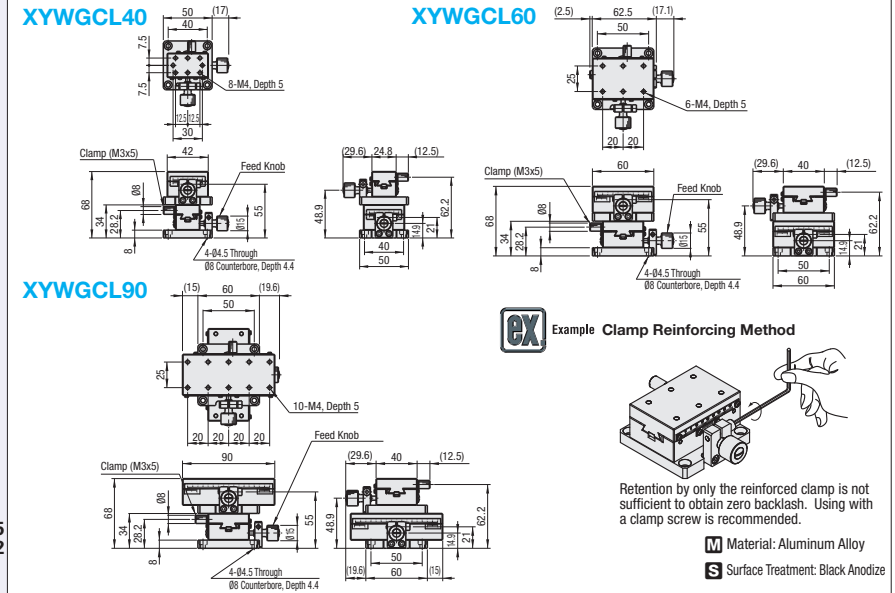
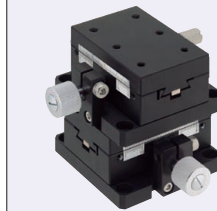
[High Precision] Dovetail Slide, Rack & Pinion Rectangular, Reinforced Clamp / Square

Other Information about Stages
 Stage Selection Table P.1639, P.1640
 New Products P.1641
 About Standard Stages P.1642
 Overview, Technical Information P.1643, P.1644

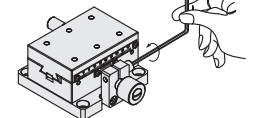
Feature: Feed knob shaft is directly clamped for improved position holding performance compared to XYWG on P.1689

XY-Axis, Reinforced Clamp

X-Axis P.1665
 Z-Axis P.1702



Example Clamp Reinforcing Method



Retention by only the reinforced clamp is not sufficient to obtain zero backlash. Using with a clamp screw is recommended.

M Material: Aluminum Alloy
 S Surface Treatment: Black Anodize

Part Number Type	Stage Surface (mm)	Travel Distance (mm)	Travel per Knob Rotation (mm)	Load Capacity (N)	Travel Accuracy Straightness (µm)	Orthogonality (µm)	Weight (kg)	Unit Price 1-4 pc(s).
XYWGCL	40	24.8x42	±12	24.5	30	100	0.35	
	60	40x60	±21	34.3	30	100	0.59	
	90	40x90	±35		30	100	0.81	

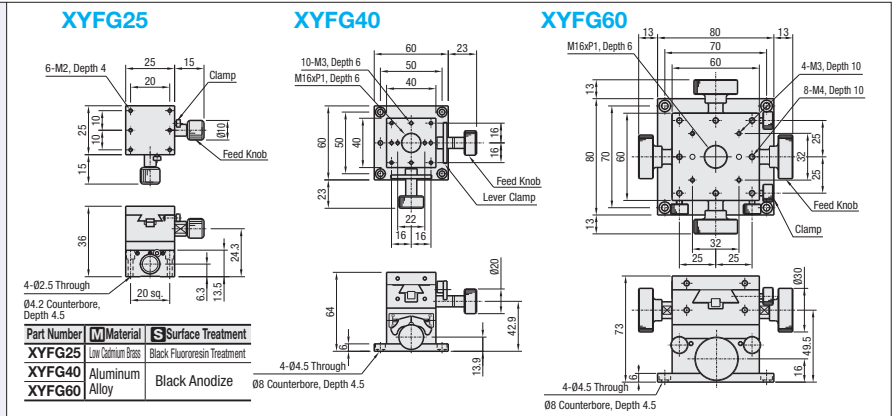
Resolution (Vernier Scale Indication): 0.1mm/division For orders larger than indicated quantity, please request a quotation.

Knob Cover HDCVR15 (Sold Separately): Ø15 knob diameter can be increased to Ø24 by installing the cover. P.1666

Feature: Square Dovetail Slide XY-Axes Stages with 18mm travel per knob rotation. Each size has a different clamp configuration. The XYFG40 has a lever type clamp. (See P.1704 for details.)

XY-Axis, Square

X-Axis P.1667
 Z-Axis P.1704



Part Number Type	Stage Surface (mm)	Travel Distance (mm)	Travel per Knob Rotation (mm)	Load Capacity (N)	Travel Accuracy Straightness (µm)	Weight (kg)	Accessories (4 pcs.) Type M-L	Unit Price 1-9 pc(s).
XYFG	25	25x25	±5	17	28.4	0.18	SCB2-12	
	40	40x40	±10	20	27.4	0.37	SCB4-6	
	60	60x60	±20	18	29.4	1.19	SCB4-6	

Resolution (Vernier Scale Indication): 0.1mm/division For orders larger than indicated quantity, please request a quotation.

Alterations Part Number - (M) XYFG40 - M

See the CAD data for the details.

Spec.	No Bottom Plate	
	XYFG40	XYFG60
	4-Ø4.3 Through (From Back), Ø6 Counterbore, Depth 10 (M3 Screw Hole)	2-Ø4.5 Through (From Back), Ø8 Counterbore, Depth 6 (M4 Screw Hole)
	Not applicable to XYFG25.	
	The feed knobs will interfere with the mating bases.	
Code	M	
Price Adder		