


Compact Positioning Switches

Compact / NO (Normally Open)

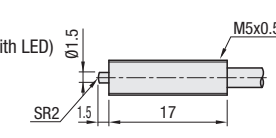
Feature: O.D. is M5 or Ø5, overall length is 17mm, (Regular) Compact Positioning Switches. For Mechanical / Electrical Specifications and Precautions for Use **P.1813**

Compact RoHS

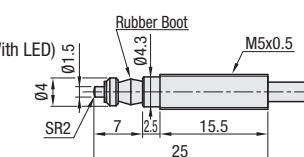


Bolt

Regular (IP40)
CMST
N-CMST (With LED)

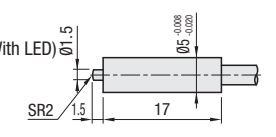


Water-Proof (IP67)
CMSTW
N-CMSTW (With LED)

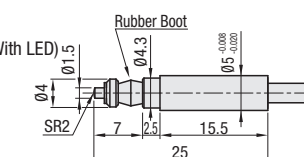


Standard

Regular (IP40)
CMSC
N-CMSC (With LED)



Water-Proof (IP67)
CMSCW
N-CMSCW (With LED)



Contact Part	Main Body	Cable	Accessories
Material	Hardness	Material	
420 Stainless Steel	45HRC	303 Stainless Steel	Hex Nut 2 pcs. (Thickness 2.4, Hex Socket 7)

Bolt

Part Number	Stroke	Operating Point	Contact Force N	Contact Mechanism	Unit Price 1-9 pc(s).	
					CMST, CMSTW	N-CMST, N-CMSTW
Regular (IP40) CMST N-CMST	1.5	No Pre-Travel (Repeatability 0.003)	0.5N	NC (Normally Closed)		
Water-Proof (IP67) CMSTW N-CMSTW						

For orders larger than indicated quantity, please request a quotation.


Standard

Part Number	Stroke	Operating Point	Contact Force N	Contact Mechanism	Unit Price 1-9 pc(s).	
					CMSC, CMSCW	N-CMSC, N-CMSCW
Regular (IP40) CMSC N-CMSC	1.5	No Pre-Travel (Repeatability 0.003)	0.5N	NC (Normally Closed)		
Water-Proof (IP67) CMSCW N-CMSCW						

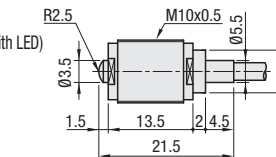
For orders larger than indicated quantity, please request a quotation.

Ordering Example: **Part Number** **CMST** **Days to Ship** **Configure Online**

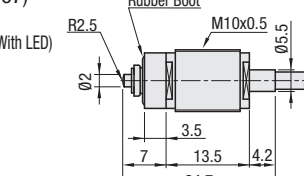
NO (Normally Open) RoHS



Regular (IP65)
CMSMA
N-CMSMA (With LED)



Water-Proof (IP67)
CMSMWA
N-CMSMWA (With LED)



Contact Part	Main Body	Cable	Accessories
Material	Hardness	Material	
Stainless Steel	50HRC	303 Stainless Steel	Wrench Hex Nut (Thickness 3, Hex Socket 13)

NO (Normally Open)

Part Number	Stroke	Operating Point	Contact Force N	Contact Mechanism	Unit Price 1-9 pc(s).	
					CMSMA, CMSMWA	N-CMSMA, N-CMSMWA
Regular (IP65) CMSMA N-CMSMA	1.5	0.3 from Tip (Repeatability 0.003)	1N	NO (Normally Open)		
Water-Proof (IP67) CMSMWA N-CMSMWA						

For orders larger than indicated quantity, please request a quotation.


Ordering Example: **Part Number** **CMSMA** **Days to Ship** **Configure Online**

High Accuracy Positioning Switches

Bolt / Tip Shape Selectable / Flat

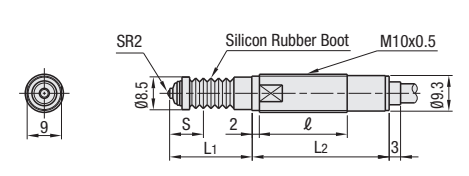
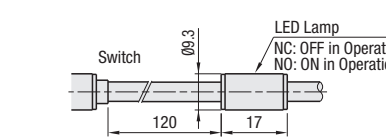
Do not use in environments where coolant or dust from machining may fall on the product. The silicon (rubber) boots may be damaged. For Mechanical / Electrical Specifications and Precautions for Use **P.1813**

Bolt (IP67)



3mm Stroke **MSTK** **MSTKL** (With LED)

10mm Stroke **N-MSTK-D** **N-MSTKL-D** (With LED)

Contact Part	Main Body	Cable	Accessories
Material	Hardness	Material	
Carbide	1300~1600HV	303 Stainless Steel	Hex Nut 2 pcs. (Thickness 3 Hex Socket 13)


Use within the contact ratings. Do not pull or twist the cable with 30N or more.

Part Number	Contact Mechanism	Stroke S	Operating Point	Repeatability	Contact Force N	L1	L2	l	MSTK, MSTKL		N-MSTK(L)-D	
									Unit Price 1-9 pc(s).	Volume Discount Rate 10-19	Unit Price 1-9 pc(s).	Volume Discount Rate 10-19
MSTK N-MSTK-D	NC NO	3	No Pre-Travel 0.2	0.0005	1	15	23.2 31	18.2 26				
MSTKL N-MSTKL-D	NC	10	No Pre-Travel						26	40	23	

For orders larger than indicated quantity, please request a quotation.

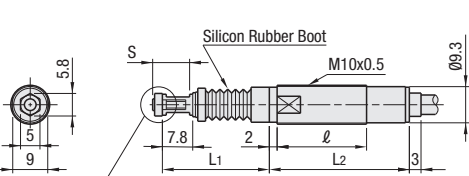
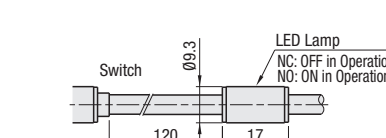
For Mechanical / Electrical Specifications and Precautions for Use **P.1813**

Shape Selectable (IP67)



3mm Stroke **MSTA** **MSTAL** (With LED)

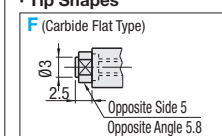
10mm Stroke **N-MSTA-D** **N-MSTAL-D** (With LED)

Tip Shape Selection

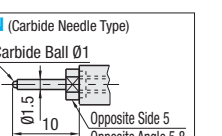
Tip Shapes

F (Carbide Flat Type)



Opposite Side 5
Opposite Angle 5.8

N (Carbide Needle Type)



Carbide Ball Ø1
Opposite Side 5
Opposite Angle 5.8

Use within the contact ratings. Do not pull or twist the cable with 30N or more.


Contact Part	Main Body	Cable	Accessories
Material	Hardness	Material	
Carbide	1300~1600HV	303 Stainless Steel	Hex Nut 2 pcs. (Thickness 3 Hex Socket 13)

Part Number	Contact Mechanism	Stroke S	Operating Point	Repeatability	Contact Force N	L1	L2	l	MSTA(L)		N-MSTA(L)-D	
									Unit Price 1-9 pc(s).	Volume Discount Rate 10-19	Unit Price 1-9 pc(s).	Volume Discount Rate 10-19
MSTA N-MSTA-D	NC NO	3	No Pre-Travel 0.2	0.0005	1	20.5	23.2 31	18.2 26				
MSTAL N-MSTAL-D	NC	10	No Pre-Travel						31.5	40	23	

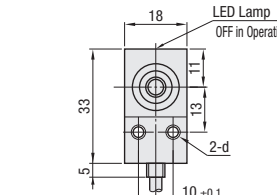
For orders larger than indicated quantity, please request a quotation.

For Mechanical / Electrical Specifications and Precautions for Use **P.1813**

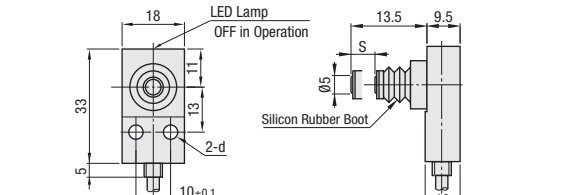
Flat (IP67)



MSTTNA-A



MSTTNA-B



Contact Part	Main Body	Cable
Material	Hardness	Material
Carbide	1300~1600HV	Aluminum
		Clear Anodize

Use within the contact ratings. Do not pull or twist the cable with 30N or more.

Part Number	Contact Mechanism	Stroke S	Operating Point	Contact Force N	d	Unit Price 1-9 pc(s).	Volume Discount Rate 10-19
MSTTNA-A MSTTNA-B	NC	3	No Pre-Travel (Repeatability 0.0005)	1.5	M4 Ø4.6		

For orders larger than indicated quantity, please request a quotation.

Ordering Example: **Part Number** **MSTK** **Days to Ship** **Configure Online**

Force must be applied normal to the switch (Declination within ±3°).