



# Posts for Extension Springs

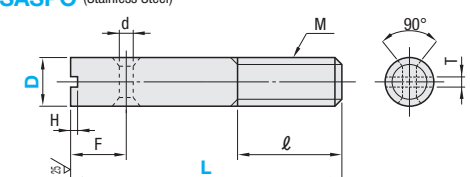
Hole / Notched Hole / Length Selectable

**Hole** RoHS

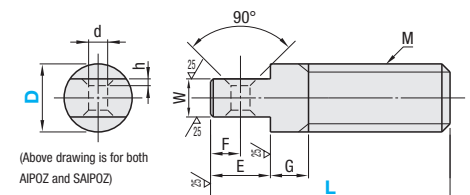
**Straight, L Dimension Selectable**

**ASPO**  
**SASPO** (Stainless Steel)



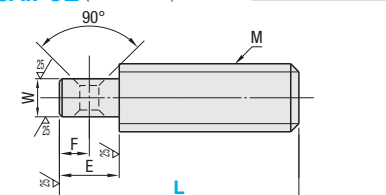
**Wrench Flats**

**AIPOZ**  
**SAIPOZ** (Stainless Steel)



**Wrench Flats, Full Thread under Head**

**AIPOZ**  
**SAIPOZ** (Stainless Steel)



Type	Material	Surface Treatment	Accessories / Material
ASPO	1045 Carbon Steel	Black Oxide	Nut 1 pc. SWCH Carbon Steel Equivalent (JIS Class 1)
AIPOZ	303 Stainless Steel	-	Nut 1 pc. 304 Stainless Steel (JIS Class 1)
SASPO	304 Stainless Steel	-	Nut 1 pc. 304 Stainless Steel (JIS Class 1)
SAIPOZ	304 Stainless Steel	-	Nut 1 pc. 304 Stainless Steel (JIS Class 1)

The L dimensions marked with \* in the specification table are for dimensions in the right table.


Type	D-L	ℓ
ASPO	3-10	5
	5-15	8
	6-20	12
	8-20	11
SASPO	8-25	16
	10-30	17
	10-35	22
	12-40	20

Part Number	Type	D	L							M (Coarse)	ℓ*	F	H	T	d	ASPO		SASPO	
			10	15	20	25	30	35	40							50	Unit Price	Volume Discount Rate	Unit Price
L Dimension Selectable	ASPO	3	10	15	20	25	30	35	40	M3	10	3	1.0						
	SASPO (Stainless Steel)	4	15	20	25	30	35	40	50	M4	10	3	1.0						
		5	15	20	25	30	35	40	50	M5	10	5	2.0						
		6	20	25	30	35	40	45	50	60	M6	16	5	2.0					
		8	20	25	30	35	40	45	50	60	70	M8	20	6	2.5				
		10	30	35	40	45	50	60	70	M10	25	7	2.5						
12	30	35	40	45	50	60	70	M12	30	9	1.8	6.0							

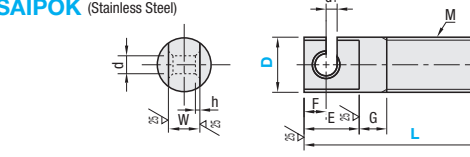
Part Number	Type	D	L							M (Coarse)	d	W	G	E	F	h	AIPOZ		SAIPOZ	
			15	20	25	30	35	40	50								Unit Price	Volume Discount Rate	Unit Price	Volume Discount Rate
Wrench Flats	AIPOZ	3	15	20	25	30			M3	1.5	1.5	3.0	1.5	0.2						
	SAIPOZ (Stainless Steel)	4	15	20	25	30	35			M4	1.5	2.5	3.5	1.75	0.3					
		5	15	20	25	30	35	40		M5	2.0	3.0	4.0	2.0	0.4					
		6	20	25	30	35	40	50		M6	2.0	3.5	5.0	2.5	0.5					
		8	20	25	30	35	40	50	60	70	M8	3.0	5.0	7.0	3.5	1.0				
		10	30	35	40	45	50	60	70	M10	4.0	6.0	10.0	4.0	1.2					
12	35	40	50	60	70			M12	5.0	7.0	12.0	5.0	1.4							

Part Number	Type	D	L							M (Coarse)	d	W	E	F	h	AIPOZ		SAIPOZ	
			10	15	20	25	30	35	40							Unit Price	Volume Discount Rate	Unit Price	Volume Discount Rate
Full Thread under Head	AIPOZ	3	10	15	20	25			M3	1.5	1.5	3.0	1.5	0.2					
	SAIPOZ (Stainless Steel)	4	10	15	20	25	30			M4	1.5	2.5	3.5	1.75	0.3				
		5	10	15	20	25	30	35		M5	2.0	3.0	4.0	2.0	0.4				
		6	15	20	25	30	35	45		M6	2.0	3.5	5.0	2.5	0.5				
		8	15	20	25	30	35	45	55	65	M8	3.0	5.0	7.0	3.5	1.0			
		10	25	30	35	45	55	65		M10	4.0	6.0	10.0	4.0	1.2				
12	25	30	35	45	55	65		M12	5.0	7.0	12.0	5.0	1.4						

**Notched Hole** RoHS



**AIPOK**  
**SAIPOK** (Stainless Steel)



Type	Material	Surface Treatment	Accessories / Material
AIPOK	1045 Carbon Steel	Black Oxide	Nut 1 pc. SWCH Carbon Steel Equivalent (JIS Class 1)
SAIPOK	304 Stainless Steel	-	Nut 1 pc. 304 Stainless Steel (JIS Class 1)

Part Number	Type	D	L							M (Coarse)	d	d <sub>1</sub>	W	G	E	F	h	Working Max. Load N	AIPOK		SAIPOK		
			15	20	25	30	40	50	Unit Price										Volume Discount Rate	Unit Price	Volume Discount Rate		
Notched Hole	AIPOK	4	15	20	25	30			M4	1.5	1.0	2.5			3.5	1.75	0.3	80	50				
	SAIPOK (Stainless Steel)	5	15	20	25	30	40			M5	2.0	1.0	3.0			4.0	2.0	0.4	115	72			
		6	20	25	30	40	50			M6	2.0	1.0	3.5			5.0	2.5	0.5	179	113			
		8	25	30	40	50	60	70			M8	3.0	1.5	5.0			7.0	3.5	1.0	300	189		
		10	30	40	50	60	70			M10	4.0	2.0	6.0			10.0	4.0	1.2	433	273			
		12	40	50	60	70				M12	5.0	2.5	7.0			12.0	5.0	1.4	590	-			

kgf=Nx0.101972

Ordering Example

Part Number - L

ASPO5 - 20

AIPOK8 - 40


Days to Ship

Configure Online

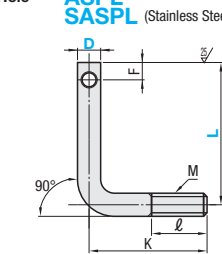
# Posts for Extension Springs

L-Shaped / Hex Socket / Hex / Length Selectable

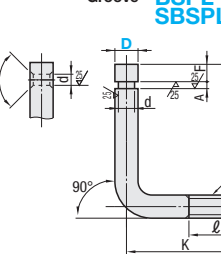
**L-Shaped** RoHS



**Hole** **ASPL**  
**SASPL** (Stainless Steel)




**Groove** **BSPL**  
**SBSPL** (Stainless Steel)



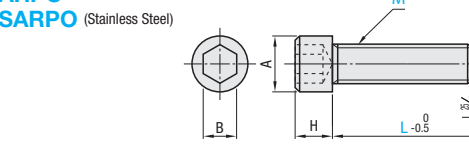
Type	Material	Surface Treatment	Accessories / Material
ASPL	1045 Carbon Steel	Black Oxide	Nut 1 pc. SWCH Carbon Steel Equivalent (JIS Class 1)
SASPL	304 Stainless Steel	-	Nut 1 pc. 304 Stainless Steel (JIS Class 1)
BSPL	1045 Carbon Steel	Black Oxide	Nut 1 pc. SWCH Carbon Steel Equivalent (JIS Class 1)
SBSPL	304 Stainless Steel	-	Nut 1 pc. 304 Stainless Steel (JIS Class 1)

Part Number	Type	D	L							M (Coarse)	K	ℓ	A	F	d	ASPL		SASPL		BSPL		SBSPL	
			10	15	20	25	30	35	40							Unit Price	Volume Discount Rate	Unit Price	Volume Discount Rate	Unit Price	Volume Discount Rate	Unit Price	Volume Discount Rate
L-Shaped	ASPL	3	10	15					M3	20	10	1.0	3	1.5	1.5	1.8							
	SASPL (Stainless Steel)	4	15	20	25				M4	20	10	1.2	3	3	2.0	2.0							
		5	20	25	30				M5	30	16	2.0	5	4	3.0	3.0							
		6	20	25	30				M6	30	16	3.0	6	4	3.6	3.6							
		8	25	30					M8	40	20	3.0	6	4	5.0	5.0							
		10	30	40					M10	50	25	4.0	7	7	6.0	6.0							
12	30	40					M12	60	30	4.0	9	9	6.5	6.5									

**Hex Socket Head** RoHS




**ARPO**  
**SARPO** (Stainless Steel)



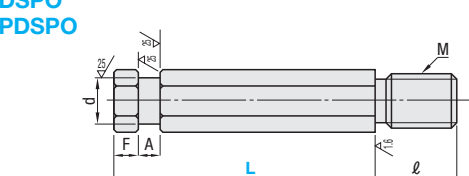
Type	Material	Surface Treatment	Accessories / Material
ARPO	4137 Alloy Steel	Black Oxide	Nut 1 pc. SWCH Carbon Steel Equivalent (JIS Class 3)
SARPO	304 Stainless Steel	-	Nut 1 pc. 304 Stainless Steel (JIS Class 3)

Part Number	Type	M	L							d	D	E	F	A	B	H	ARPO		SARPO	
			15	20	25	30	35	40	50								Unit Price	Volume Discount Rate	Unit Price	Volume Discount Rate
Hex Socket Head	ARPO	4	15	20	25	30			1.5	3.0	3	1.5	7	3	4					
	SARPO (Stainless Steel)	5	15	20	25	30	35	40		2	3.8	4	2	8.5	4	5				
		6	20	25	30	35	40			2	4.5	4	2	10	5	6				
		8	20	25	30	35	40	50		3	6.1	7	3.5	13	6	8				
		10	30	35	40	50	60			4	7.8	10	4	16	8	10				
		12	40	50	60					5	9.5	12	5	18	10	12				

**Hex** RoHS



**DSPO**  
**PDSPO**



Type	Material	Surface Treatment
DSPO	1213 Carbon Steel	Black Oxide
PDSPO	Steel	Electroless Nickel Plating

Part Number	Type	B	L							M (Coarse)	(C)	ℓ	A	F	d	DSPO		PDSPO	
			10	15	20	25	30	35	40							Unit Price	Volume Discount Rate	Unit Price	Volume Discount Rate
Hex	DSPO	3	10	15					M3	3.5	6	1.0	3	1.8					
	PDSPO (Stainless Steel)	4	10	15	20				M4	4.6	8	1.2	4	2.0					
		5	10	15	20				M5	5.8	10	2.0	4	3.0					
		6	10	15	20	25				M6	6.9	12	3.0	4	3.6				
		8	10	15	20	25	30			M8	9.2	16	4.0	4	5.0				
		10	15	20	25	30				M10	11.5	20	4.0	4	6.0				
12	20	25	30					M12	13.9	24	4.0	4	6.5						

Ordering Example

Part Number - L

ASPL4 - 15

ARPO6 - 20

DSPO8 - 25

Days to Ship

Configure Online