

HPM1 equivalent  
SKD61  
DC53 S45C

# SPRUE BUSHINGS


P3.5 SR11

NORMAL BOLT TYPE • FIXED SIZE — BOLT FIXING TYPE / FLANGED TYPE —

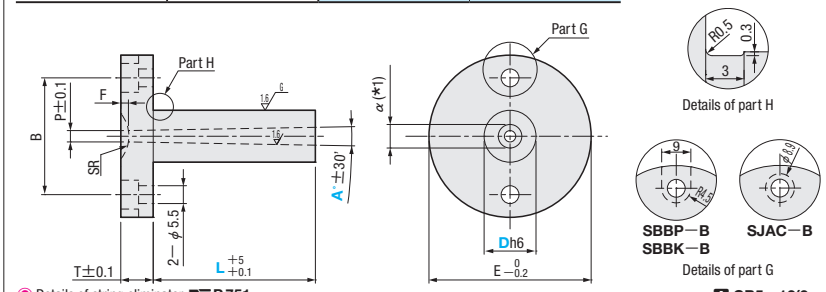
Ⓜ Non JIS material definition is listed on P.1359 - 1360

Ⓜ This product is a standardized version of the most commonly designated size among the free designation types described on P.755. Use after L dimension finishing.

**Bolt Fixing Type**




| Part Number   |                        | M               | H        |
|---------------|------------------------|-----------------|----------|
| Normal        | String eliminator type |                 |          |
| <b>SBBP-B</b> | <b>SBBPH-B</b>         | HPM1 equivalent | 37~43HRC |
| <b>SBBK-B</b> | <b>SBBKH-B</b>         | SKD61           | 48~52HRC |
| <b>SBBS-B</b> | <b>SBBSH-B</b>         | DC53            | 58~62HRC |
| <b>SJAC-B</b> | —                      | S45C            | —        |



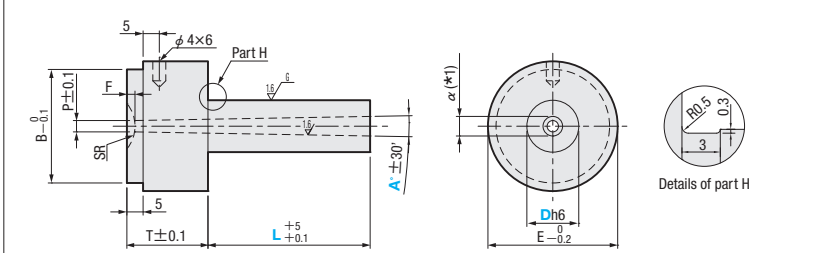
Ⓜ Details of string eliminator. P.751

Ⓜ CB5-12(2pcs.)

**Flanged Type**



| TYPE          | M    | H |
|---------------|------|---|
| <b>SJBC-B</b> | S45C | — |



Ⓜ Details of part H

| T  | E  | B  | F  | SR | P   | Dh6               | Part Number                     |                        | L                    | A°             |    |   |
|----|----|----|----|----|-----|-------------------|---------------------------------|------------------------|----------------------|----------------|----|---|
|    |    |    |    |    |     |                   | Type                            | D                      |                      |                |    |   |
| 10 | 40 | 30 | 3  | 11 | 3.5 | 10<br>0<br>-0.009 | Normal                          | String eliminator type | 10                   | 2              |    |   |
|    |    |    |    |    |     |                   | (HPM1 equivalent) <b>SBBP-B</b> | <b>SBBPH-B</b>         |                      |                |    |   |
|    |    |    |    |    |     |                   | (SKD61) <b>SBBK-B</b>           | <b>SBBKH-B</b>         |                      |                |    |   |
|    | 30 | 40 | 35 |    |     | 3                 | 13                              | 0<br>-0.011            | (DC53) <b>SBBS-B</b> | <b>SBBSH-B</b> | 13 | 3 |
|    |    |    |    |    |     |                   |                                 |                        | (S45C) <b>SJAC-B</b> |                |    |   |
|    |    |    |    |    |     |                   |                                 |                        | (S45C) <b>SJBC-B</b> |                |    |   |

\* 1 ( Calculation of  $\alpha$  value )  $\alpha = P + 2 ( L + T - F ) \tan \frac{A}{2}$  Ⓜ Please adjust the length before using.



Order

Part Number — L — A  
**SBBP-B10** — 40 — A3



Days to Ship

- Normal
- SBBP-B
- SBBK-B
- SBBS-B
- SJAC-B
- SJBC-B

Stock

3 Days

Express T  
Express A

P.46

Ⓜ Stock availability depends on subsidiary. P.45

Ⓜ Delivery days depend on subsidiary. P.45

- String eliminator type
- SBBPH-B
- SBBKH-B
- SBBSH-B

3 Days

Ⓜ Delivery days depend on subsidiary. P.45



Price

Quantity discount rate P.45

| Quantity | 1~4 | 5~9 | 10~14 | 15~20 |
|----------|-----|-----|-------|-------|
| Rate     | —   | 5%  | 10%   | 15%   |

Ⓜ To be quoted on price & lead time above Max. Q'ty.