


Shaft Supports L-Shaped (Precision Cast)

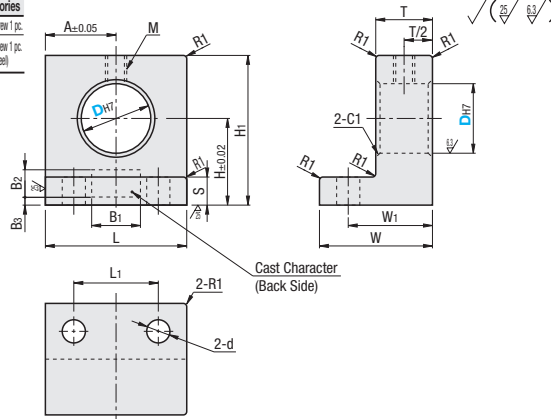
Standard / Slit

Cast manufacturing enabled more economical prices than the other machined products of the same type.

Standard RoHS




Type	Material	Surface Treatment	Accessories
SHKLB	1045 Carbon Steel	Black Oxide	Hex Socket Set Screw 1 pc.
SHKLM	Equivalent	Electroless Nickel Plating	Hex Socket Set Screw 1 pc. (Stainless Steel)
SHKLS	304 Stainless Steel	-	-



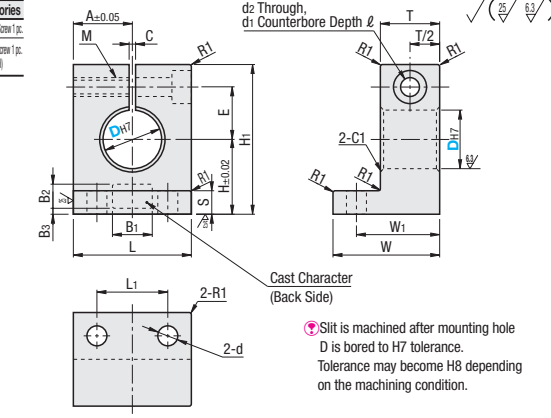
Cast Character (Back Side)

Part Number Type	D	H	L	H1	T	S	W	W1	A	Tightening Screw M	L1	d	B1	B2	B3	Mass g	Unit Price		
																	SHKLB	SHKLM	SHKLS
SHKLB SHKLM SHKLS	8	15		24	10	6	20	15	12.5	M4	13	5.5	14	8	2	60			
	10	20	25	30													72		
	12		31	71															
	16	25	40	43	8	26	18	20	M6	24	6.5	14	8	2	79				
	20		50	209															
	25			222															
30	30	50	53	12	10	30	20	25		30	9			369					

Slit RoHS



Type	Material	Surface Treatment	Accessories
SHKSB	1045 Carbon Steel	Black Oxide	Hex Socket Head Cap Screw 1 pc.
SHKSM	Equivalent	Electroless Nickel Plating	Hex Socket Head Cap Screw 1 pc. (Stainless Steel)
SHKSS	304 Stainless Steel	-	-



Cast Character (Back Side)

Slit is machined after mounting hole D is bored to H7 tolerance. Tolerance may become H8 depending on the machining condition.

Part Number Type	D	H	L	H1	T	S	W	W1	A	L1	d	E	Tightening Screw M	d2	d1	ℓ	C	B1	B2	B3	Mass g	Unit Price		
																						SHKSB	SHKSM	SHKSS
SHKSB SHKSM SHKSS	8	15		31	12	6	22	17	12.5	15	5.5	11	M4	4.5	8	4.5	2	14	8	2	72			
	10	20	25	36																		82		
	12		38	83																				
	16	25	30	45	16	8	32	24	20	24	6.5	18	M6	6.5	11	6.5	14	8	2	114				
	20		40	51																	236			
	25		58	249																				
30	30	50	63	20	10	40	30	25	30	9	24	M8	9	14	9	3				417				

Ordering Example **Part Number**
SHKSBT8

Days to Ship **Configure Online**


Price **Configure Online**

Shaft Supports L-Shaped (Precision Cast)

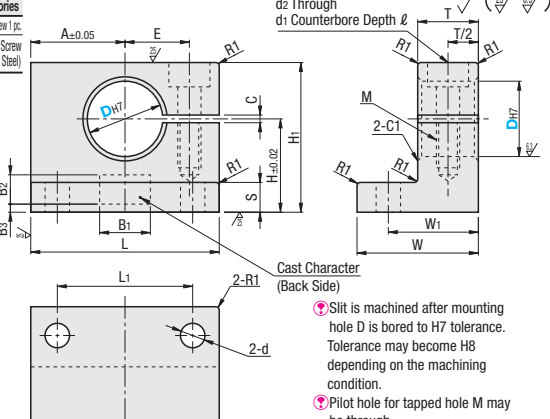
Side Slit / Split

Cast manufacturing enabled more economical prices than the other machined products of the same type.

Side Slit RoHS



Type	Material	Surface Treatment	Accessories
SHKWBT	1045 Carbon Steel	Black Oxide	Hex Socket Set Screw 1 pc.
SHKWM	Equivalent	Electroless Nickel Plating	Hex Socket Set Screw 1 pc. (Stainless Steel)
SHKWST	304 Stainless Steel	-	-




Cast Character (Back Side)

Slit is machined after mounting hole D is bored to H7 tolerance. Tolerance may become H8 depending on the machining condition.

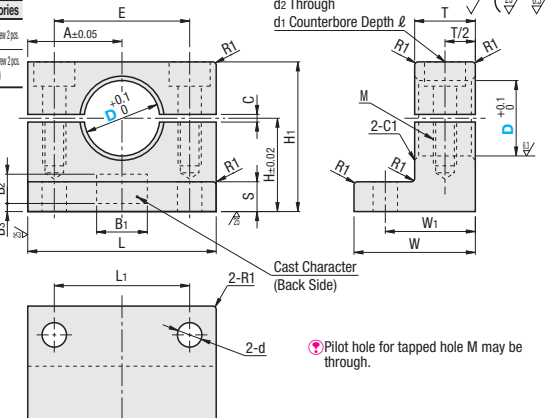
Pilot hole for tapped hole M may be through.

Part Number Type	D	H	L	H1	T	S	W	W1	A	L1	d	E	Tightening Screw M	d2	d1	ℓ	C	B1	B2	B3	Mass g	Unit Price		
																						SHKWBT	SHKWM	SHKWST
SHKWBT SHKWM SHKWST	8	15	30	23	12	6	22	17	15	16	20	5.5	M4	4.5	8	4.5	2	14	8	2	70			
	10	20	32	29																		90		
	12		30	90																				
	16	25	38	37	16	8	32	24	25	36	6.5	18	M6	6.5	11	6.5	14	8	2	127				
	20		40	209																				
	25		48	271																				
30	30	70	51	20	10	40	30	35	48	9	24	M8	9	14	9	3				503				

Split RoHS



Type	Material	Surface Treatment	Accessories
SHKPBT Polybutylene Terephthalate	1045 Carbon Steel	Black Oxide	Hex Socket Head Cap Screw 2 pcs.
SHKPM	Equivalent	Electroless Nickel Plating	Hex Socket Head Cap Screw 2 pcs. (Stainless Steel)
SHKPST	304 Stainless Steel	-	-



Cast Character (Back Side)

Pilot hole for tapped hole M may be through.

Part Number Type	D	H	L	H1	T	S	W	W1	A	L1	d	E	Tightening Screw M	d2	d1	ℓ	C	B1	B2	B3	Mass g	Unit Price		
																						SHKPBT Polybutylene Terephthalate	SHKPM	SHKPST
SHKPBT Polybutylene Terephthalate SHKPM SHKPST	8	15	30	23	12	6	22	17	15	16	20	5.5	M4	4.5	8	4.5	2	14	8	2	65			
	10	20	32	29																		85		
	12		30	85																				
	16	25	38	37	16	8	32	24	25	36	6.5	36	M6	6.5	11	6.5	14	8	2	121				
	20		40	230																				
	25		48	257																				
30	30	70	51	20	10	40	30	35	48	9	48	M8	9	14	9	3				483				

Ordering Example **Part Number**
SHKWBT12

Days to Ship **Configure Online**

Price **Configure Online**