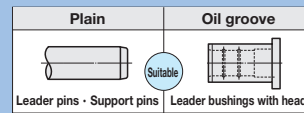


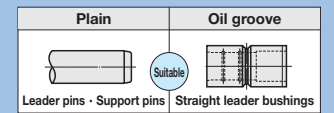
# LEADER BUSHINGS

—HEAD TYPE WITH OIL GROOVE—

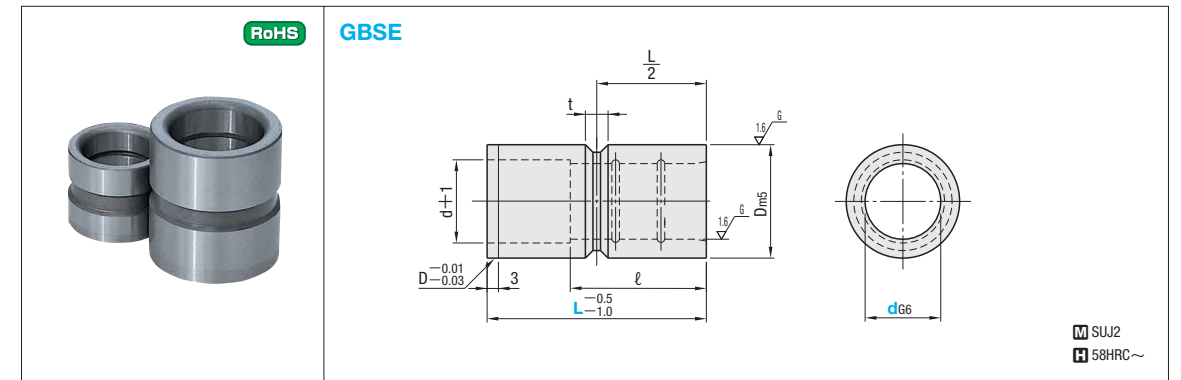
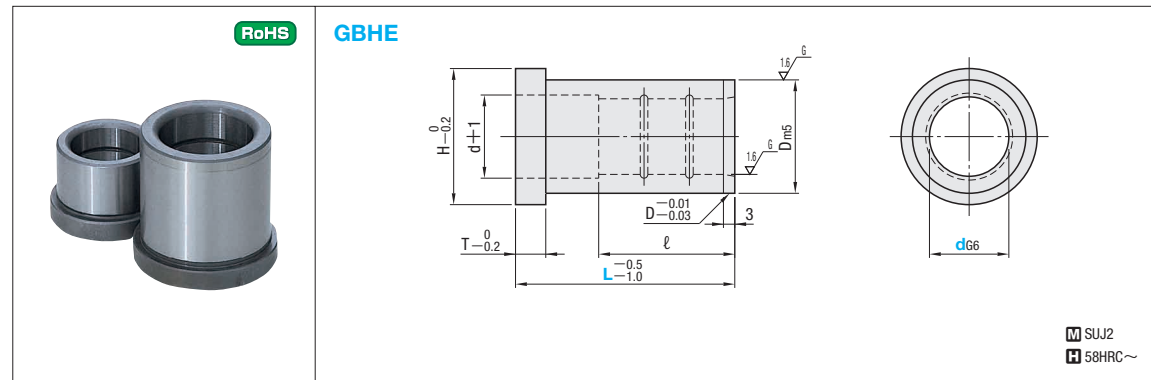


# LEADER BUSHINGS

—STRAIGHT TYPE WITH OIL GROOVE—



⚠ Non JIS material definition is listed on P.1351 - 1352



dG6	T	Dm5	H	ℓ																				
				L15	L20	L25	L30	L35	L40	L45	L50	L60	L70	L80	L90	L100	L110	L120	L130	L140	L150			
8	+0.014	12	14	15	15	15	—	—	—	—	—	—	—	—	—	—	—	—	—	—	—	—	—	—
10	+0.005	5	14	16	15	20	20	20	20	20	—	—	—	—	—	—	—	—	—	—	—	—	—	—
12	+0.017	18	22	15	20	25	25	25	25	25	—	—	—	—	—	—	—	—	—	—	—	—	—	—
13	+0.006	20	25	15	20	25	25	25	25	25	—	—	—	—	—	—	—	—	—	—	—	—	—	—
16	+0.017	6	25	30	15	20	25	30	30	30	—	—	—	—	—	—	—	—	—	—	—	—	—	—
20	+0.020	30	35	20	25	30	35	40	40	40	40	40	40	—	—	—	—	—	—	—	—	—	—	—
25	+0.020	35	40	20	—	30	35	40	45	50	50	50	50	50	50	50	50	—	—	—	—	—	—	—
28	+0.007	40	45	25	30	35	40	45	50	56	56	56	—	—	—	—	—	—	—	—	—	—	—	—
30	+0.025	8	42	47	25	30	35	40	45	50	60	60	60	60	60	60	60	60	—	—	—	—	—	—
32	+0.009	45	50	25	30	35	40	45	50	60	60	60	60	60	60	60	60	—	—	—	—	—	—	—
35	+0.025	48	54	30	35	40	—	50	60	70	70	70	70	70	70	70	70	—	—	—	—	—	—	—
36	+0.009	50	55	30	35	40	—	50	60	70	—	—	—	—	—	—	—	—	—	—	—	—	—	—
40	+0.024	10	55	60	—	30	35	40	45	50	60	70	80	80	80	80	80	—	—	—	—	—	—	—
50	+0.029	12	70	75	—	—	—	—	—	—	—	—	—	—	—	—	—	—	—	—	—	—	—	—
60	+0.010	80	86	—	—	—	—	—	—	—	—	—	—	—	—	—	—	—	—	—	—	—	—	—

Part Number	Type	d	U/Price 1~9																					
			L15	L20	L25	L30	L35	L40	L45	L50	L60	L70	L80	L90	L100	L110	L120	L130	L140	L150				
8	GBHE	8																						
10	GBHE	10																						
12	GBHE	12																						
13	GBHE	13																						
16	GBHE	16																						
20	GBHE	20																						
25	GBHE	25																						
28	GBHE	28																						
30	GBHE	30																						
32	GBHE	32																						
35	GBHE	35																						
36	GBHE	36																						
40	GBHE	40																						
50	GBHE	50																						
60	GBHE	60																						

⚠ Use GBHE d=36 as the bushing for support pin plain type (SPP, SPPZ, SPPZ—XL (D=36)) P.907

Order Part Number — L  
GBHE13 — 40

Price Quotation

Days to Ship Quotation

dG6	t	Dm5	ℓ																					
			L10	L15	L20	L25	L30	L35	L40	L45	L50	L60	L70	L80	L90	L100	L110	L120						
8	+0.014	12	+0.015	10	15	15	15	—	—	—	—	—	—	—	—	—	—	—	—	—	—	—	—	—
10	+0.005	6	+0.007	10	15	20	20	20	20	20	—	—	—	—	—	—	—	—	—	—	—	—	—	—
12	+0.017	18	+0.017	10	15	20	25	25	25	25	—	—	—	—	—	—	—	—	—	—	—	—	—	—
13	+0.006	20	+0.017	10	15	20	25	25	25	25	—	—	—	—	—	—	—	—	—	—	—	—	—	—
16	+0.006	25	+0.017	10	15	20	25	30	35	30	30	30	—	—	—	—	—	—	—	—	—	—	—	—
20	+0.020	30	+0.008	10	15	20	25	30	35	40	40	40	40	40	40	—	—	—	—	—	—	—	—	—
25	+0.020	35	+0.020	15	20	25	30	35	40	45	50	50	50	50	50	50	50	—	—	—	—	—	—	—
28	+0.007	40	+0.009	20	25	30	35	40	45	50	56	56	56	—	—	—	—	—	—	—	—	—	—	—
30	+0.025	42	+0.009	20	25	30	35	40	45	50	60	60	60	60	60	60	60	60	—	—	—	—	—	—
32	+0.009	45	+0.024	20	25	30	35	40	45	50	60	60	60	60	60	60	60	60	—	—	—	—	—	—
35	+0.025	48	+0.011	25	30	35	40	—	50	60	70	70	70	70	70	70	70	70	—	—	—	—	—	—
36	+0.009	50	+0.024	25	30	—	40	—	—	—	—	—	—	—	—	—	—	—	—	—	—	—	—	—
40	+0.024	55	+0.011	25	30	35	40	45	50	60	70	80	80	80	80	80	80	80	—	—	—	—	—	—
50	+0.029	70	+0.011	30	35	40	45	50	60	70	80	90	100	100	100	100	100	100	—	—	—	—	—	—
60	+0.010	80	+0.011	—	—	—	—	—	—	—	—	—	—	—	—	—	—	—	—	—	—	—	—	—

Part Number	Type	d	U/Price 1~9																					
			L10	L15	L20	L25	L30	L35	L40	L45	L50	L60	L70	L80	L90	L100	L110	L120						
8	GBSE	8																						
10	GBSE	10																						
12	GBSE	12																						
13	GBSE	13																						
16	GBSE	16																						
20	GBSE	20																						
25	GBSE	25																						
28	GBSE	28																						
30	GBSE	30																						
32	GBSE	32																						
35	GBSE	35																						
36	GBSE	36																						
40	GBSE	40																						
50	GBSE	50																						
60	GBSE	60																						

⚠ Use GBSE d=36 as the bushing for support pin plain type (SPP, SPPZ, SPPZ—XL (D=36)) P.907

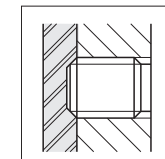
Order Part Number — L  
GBSE32 — 80

Days to Ship Quotation

Price Quotation

EX Example

■ Stopper for The Straight Leader Bushing  
Screw plugs are commonly used as a stopper to hold down straight leader bushings. The bushing is provided with a groove on its outer circumference where the screw plug is locked in. Since the screw plug does not directly hold the bushing's thin wall, deflection of its internal diameter can be minimized. When L=10 (d=8~20) or L=15 (d=25), screw plug is the value in ( ).



Leader bushing's internal diameter (d)	Applicable screw plugs
8~20	MSW 6 (4)
25~60	MSW 8 (6)

Leader Components