


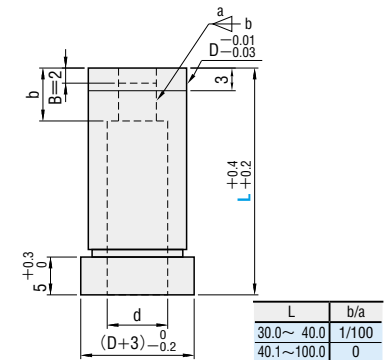
# BUTTON DIES, CONFIGURABLE FULL LENGTH TYPE

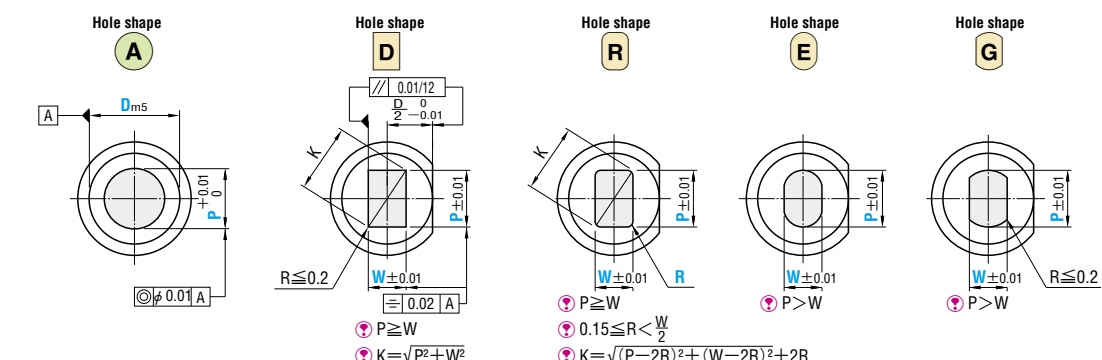
**—Headed type—**




RoHS

M	H	D dimension	Catalog No.
Equivalent to SKD11 60~63HRC	D6~56	A	S—MHD
		D	S—HDD
		R	S—HDR
		E	S—HDE
		G	S—HDG
		D10~56	A
D	S—HDDS		
R	S—HDRS		
E	S—HDES		
G	S—HDGS		



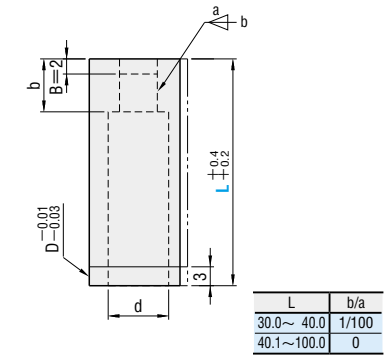


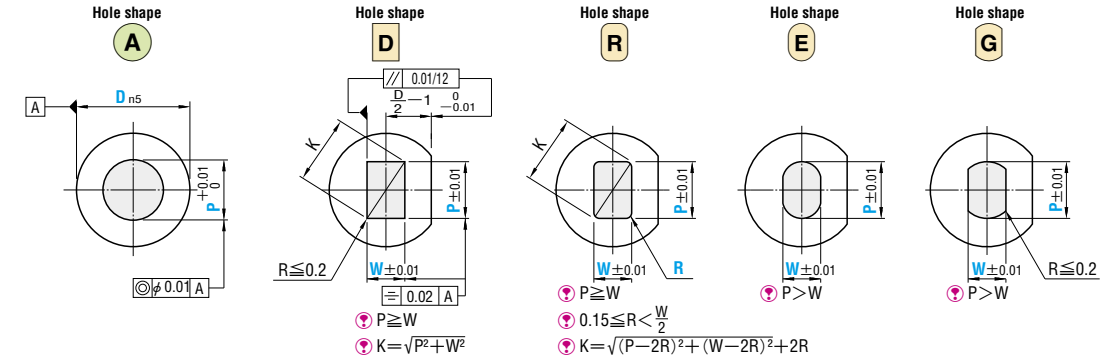
**—Straight type—**



RoHS

M	H	D dimension	Catalog No.
Equivalent to SKD11 60~63HRC	D6~56	A	S—MSD
		D	S—SDD
		R	S—SDR
	D8~56	E	S—SDE
		G	S—SDG
		D10~56	A
D	S—SDDS		
R	S—SDRS		
E	S—SDES		
G	S—SDGS		





D tolerance		Catalog No.		0.1 mm increments L	0.01mm increments				b	d	
D	m5	n5	Type		A	D R E G	R	R			
6	+0.009 +0.004	+0.013 +0.008	Headed type (Dm5)	Straight type (Dns)	30.0~40.0	1.00~3.00	3.00	1.00	0.15 ≤ R < W/2	3	3.4
8	+0.012	+0.016	A S—MHD	S—MSD		1.00~4.00	4.00	1.00		4	4.4
10	+0.006	+0.010				D S—HDD	S—SDD	2.00~6.00		6.00	1.20
13	+0.015	+0.020	R S—HDR	S—SDR		3.00~8.00	8.00	1.50		8	8.4
16	+0.007	+0.012				7.00~12.00	12.00	3.00			10.6
20	+0.017	+0.024	E S—HDE	S—SDE		10.00~16.00	16.00	3.00		16.6	16.6
25	+0.008	+0.015				15.00~20.00	20.00	4.00			20.6
32	+0.024 +0.011	+0.033 +0.020	G S—HDG	S—SDG		19.00~26.00	26.00	5.00		26.6	26.6
38						+0.020	+0.028	25.00~35.00			35.00
45	+0.009	+0.017	Headed type (Dm5)	Straight type (Dns)		33.00~40.00	40.00	7.00		41.0	41.0
50	+0.012	+0.016			10	40.1~80.0	2.00~6.00	6.00	1.20		6
13	+0.015	+0.020	A S—MHDS	S—MSDS	(40.01)	3.00~8.00	8.00	1.50	0.15 ≤ R < W/2	8	8.4
16	+0.007	+0.012			D S—HDDS	S—SDDS	5.00~10.00	10.00		2.00	10.6
20	+0.017	+0.024	R S—HDRS	S—SDRS	40.1~100.0 (40.01)	7.00~12.00	12.00	3.00	12.6	12.6	
25	+0.008	+0.015				10.00~16.00	16.00	3.00		16.6	
32	+0.024 +0.011	+0.033 +0.020	E S—HDES	S—SDES	15.00~20.00	20.00	4.00	20.6	20.6		
38					+0.020	+0.028	19.00~26.00		26.00	5.00	26.6
45	+0.009	+0.017	G S—HDGS	S—SDGS	25.00~35.00	35.00	6.00	36.0	36.0		
50	+0.012	+0.016			33.00~40.00	40.00	7.00		41.0		
56	+0.024 +0.011	+0.033 +0.020			38.00~45.00	45.00	8.00	46.0			

Ⓜ D (6) → The D=6 straight type is a specification available for shape A (round) only. It is not available for shapes D R E G.  
 Ⓜ L (40.01) → When LKC·LKZ is selected, select an L dimension of 40.01 or larger.

Order **Catalog No.** — L — P — W — R (R only)  
 S—MHD 10 — 35.1 — P5.00  
 S—SDRS 20 — 65 — P8.00 — W8.00 — R0.40

Days to Ship **Quotation** Price **Quotation**

↕

Alterations **Catalog No.** — L — P (PC) — W (WC) — R — (BC·HC·TC, etc.)  
 S—MHD 13 — 35 — PC8.02 — TC4.0

Alteration	Code	A		D R E G		1Code
		min.	max.	P·Kmax.	P·Wmin.	
Alterations to shaped hole	PC WC	Shaped hole diameter change		Shaped hole diameter change		Quotation
		min.: P > PC ≥ Pmin. ≥ 0.50		min.: P > PC ≥ Pmin. ≥ 1.00		
		0.01 mm increments		0.01 mm increments		
Alterations to head	KFC	Double key flats at 0° and a selected angle 1° increments		Double key flats at 0° and a selected angle 1° increments		Quotation
		⊗ Cannot be combined with KC·WKC.		⊗ Cannot be combined with KC·WKC.		
		⊗ Cannot be used for L < 16 or D > 25.		⊗ Cannot be used for L < 16 or D > 25.		
Alterations to full length	LKC LKZ	Full length tolerance change		Full length tolerance change		Quotation
		L + 0.4 ⇨ +0.05		L + 0.4 ⇨ +0.01		
		L + 0.2 ⇨ 0		L + 0.2 ⇨ 0		
Head	KC	Addition of single key flat to head		Key flat		Quotation
		⊗ Cannot be used for D6.		180° 0° position change 1° increments		
				180° 0° position change 1° increments		

BUTTON DIES