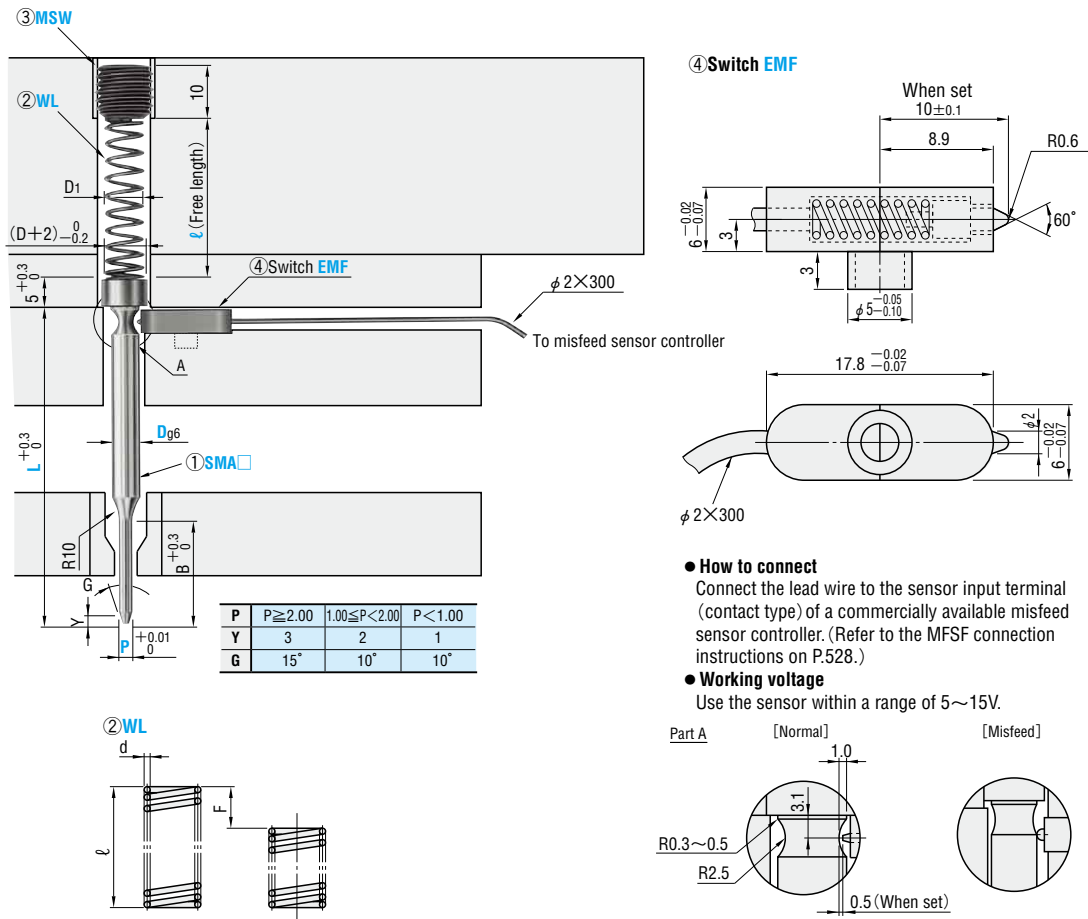


CONTACT TYPE MISFEED SENSOR UNITS

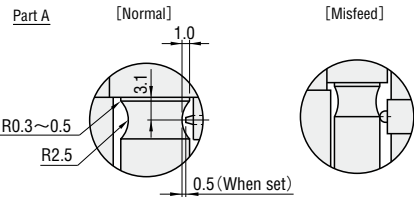
RoHS



	P ≥ 2.00	1.00 ≤ P < 2.00	P < 1.00
Y	3	2	1
G	15°	10°	10°

How to connect
Connect the lead wire to the sensor input terminal (contact type) of a commercially available misfeed sensor controller. (Refer to the MFSF connection instructions on P.528.)

Working voltage
Use the sensor within a range of 5~15V.



Part No.	Name	Catalog No.	Material	Part No.	Name	Catalog No.	Material
①	Misfeed pin	SMAS SMAL SMAX	Equivalent to SKD11 60 ~ 63HRC	③	Screw plug	MSW	P.819
②	Spring for misfeed pin	WL	P.1401	④	Switch	EMF	Polycarbonate

WL Spring constant 1N/mm {0.1kgf/mm}

①	WL Spring constant 1N/mm {0.1kgf/mm}										
	Type	ℓ	d	max.F	d	max.F	d	max.F	d	max.F	d
② WL	25	0.65	10	0.65	10	0.75	10	0.9	10	0.9	10
	30	0.7	12	0.7	12	0.8	12	0.9	12	0.9	12
	35	0.7	14	0.7	14	0.8	14	0.9	14	0.9	14
	40	0.7	16	0.7	16	0.8	16	0.9	16	0.9	16
	45	0.75	18	0.75	18	0.85	18	1.0	18	1.0	18
	50	0.75	20	0.75	20	0.85	20	1.0	20	1.0	20
	55	0.75	22	0.75	22	0.85	22	1.0	22	1.0	22
	60	0.8	24	0.8	24	0.9	24	1.0	24	1.0	24
	65	0.8	26	0.8	26	0.9	26	1.1	26	1.1	26
	70	0.85	28	0.85	28	1.0	28	1.1	28	1.1	28
③ MSW	M8×P1.25		M10×P1.5		M10×P1.5		M12×P1.5		M14×P1.5		

Spring load (N) = Spring constant (N/mm) × deflection F (mm) (N) = kgf × 9.80665

① Misfeed pin

B	Catalog No.		L							P	Base unit price	Volume discount unit price			
	Type	D	4	5	6	7	8	9	10	0.01mm increments	1~4 pieces	5~9	10~19	20~50	
10	SMAS	4	50	60	70	80				1.00~3.97					
		5	50	60	70	80	90	100	2.00~4.97						
		6	50	60	70	80	90	100	2.00~5.97						
15	SMAL	4	60	70	80				1.00~3.97						
		5	60	70	80	90	100	2.00~4.97							
		6	60	70	80	90	100	3.00~7.97							
21	SMAX	10	60	70	80	90	100	110	3.00~9.97						
4		60	70	80			1.20~3.97								
5		60	70	80	90	100	2.00~4.97								
27	SMAX	6	60	70	80	90	100		2.00~5.97						
8		70	80	90	100		3.00~7.97								
10		70	80	90	100	110	3.00~9.97								

Order **Catalog No.** - L - P
SMAS 6 - 80 - P3.00

Days to Ship **Quotation**

Alterations **Catalog No.** - L(LC) - P(PC) - (BC·HC·NTC·PKC)
SMAS 8 - LC79 - PC2.50

Alteration	Code	Spec.	1Code
	PC	Tip diameter change PC ≥ P _{min} ≥ 0.50 0.01mm increments	Quotation
	BC	Tip length change Y + 2 ≤ BC ≤ Bmax. BC ≤ L(LC) - 30 0.1mm increments	Quotation
	LC	L dimension change (B) + 30 ≤ LC < L 0.1mm increments If difference between L dimension and tip length is 30 or less, tip length is adjusted to L - 30.	Quotation

Alteration	Code	Spec.	1Code
	HC	Head diameter change D ≤ HC < D + 2 0.1mm increments	Quotation
	NTC	Elimination of tip taper	Quotation
	PKC	Tip diameter tolerance p + 0.01 → + 0.005 change	Quotation

②③④ Sensor units

Catalog No.	Type	D	Type	ℓ	Base unit price	Volume discount unit price							
					1~4 sets	5~9	10~19	20~50					
MFL	WL	4	25	30	35	40	45	50	55	60	65	70	Quotation
		5											
		6											
		8											
		10											

Order **Catalog No.** - ②Type · ℓ
MFL 6 - WL 60

Days to Ship **Quotation**

④ Component parts (individual parts)

Part No.	Name	Catalog No.	Base unit price	Volume discount unit price		
			1~4 pieces	5~9	10~19	20~50
④	Switch	EMF		Quotation		

Order **Catalog No.** - EMF

Days to Ship **Quotation**

Refer to the corresponding pages for details of the following components.

Part No.	Name	Catalog No.	Page
②	Spring for misfeed pin	WL	P.1401
③	Screw plug	MSW	P.819

COMPONENTS FOR MISFEED SENSORS