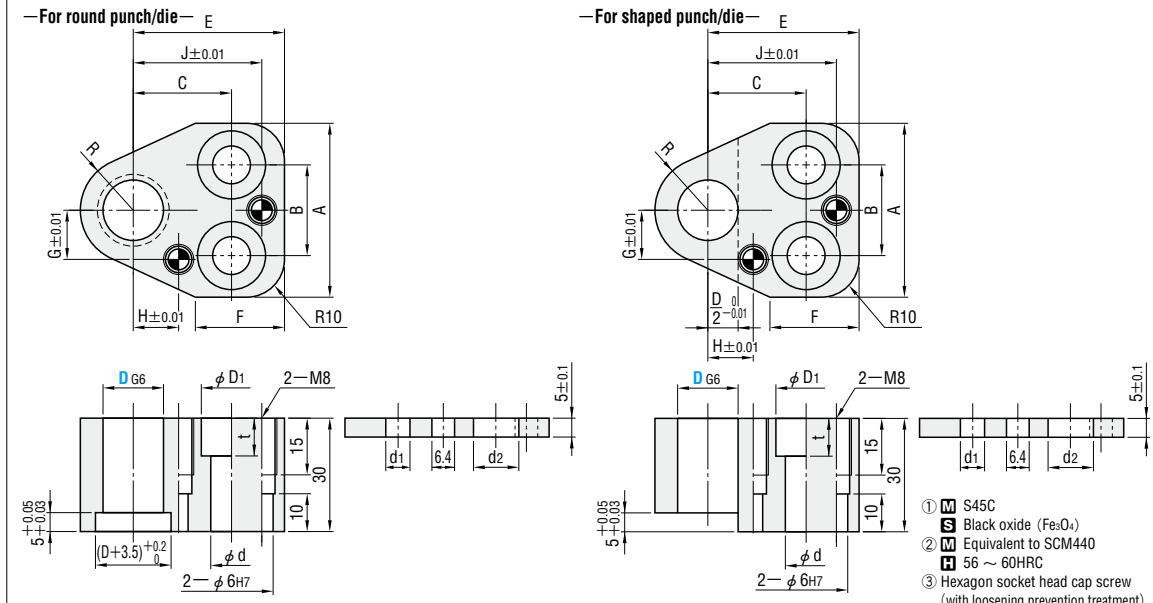
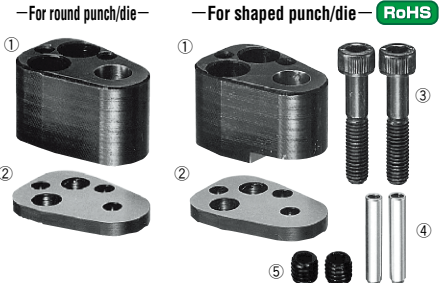


END RETAINER SETS FOR NC MACHINING

—FOR PUNCHES WITH LOCATING DOWEL HOLES—

END RETAINER SETS FOR EDGE-MATCHING MACHINING

For round punch·round button die					For shaped punch·shaped button die										
For round	Retainer No.	Catalog No.	Components					For shaped	Retainer No.	Catalog No.	Components				
			①	②	③	④	⑤				①	②	③	④	⑤
For punch	DA1	DP-AP	○	○	○	○	○	For punch	DF1	DP-FP	○	○	○	○	○
	DA2	DPAR	○	○	○	○	○		DF2	DPFR	○	○	○	○	○
		BPC	○	○	○	○	○			BPC	○	○	○	○	○
Button die		DP-AD	○	○	○	○	○	Button die		DP-FD	○	○	○	○	○
		BDC	○	○	○	○	○			BDC	○	○	○	○	○
Body only	DA3	DP-AN	○	○	○	○	○	Body only	DF3	DP-FN	○	○	○	○	○

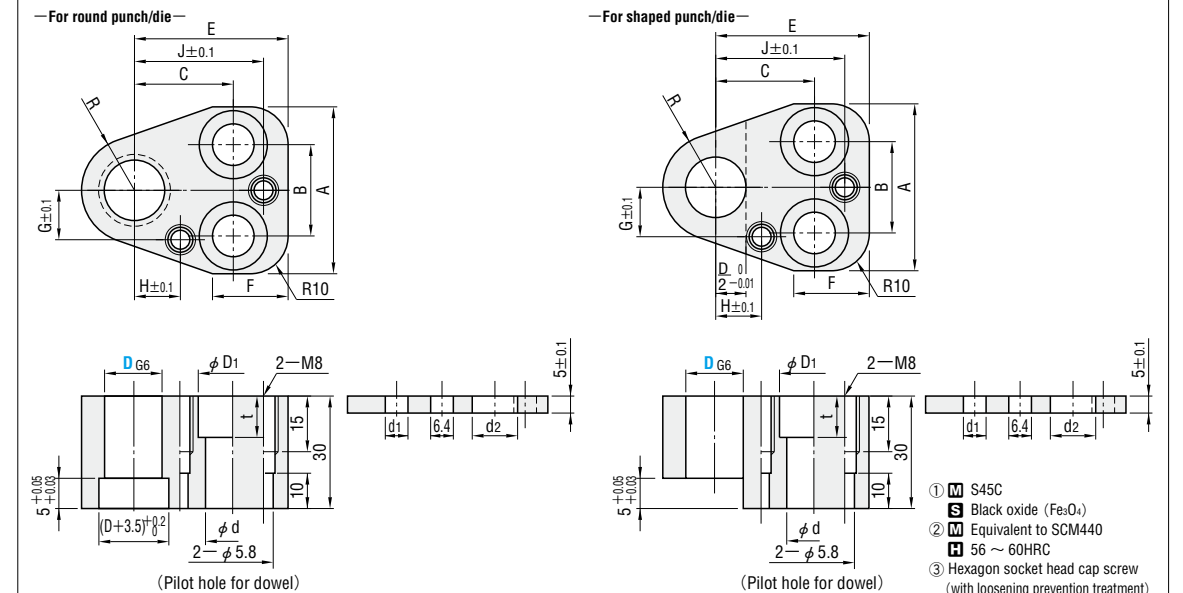
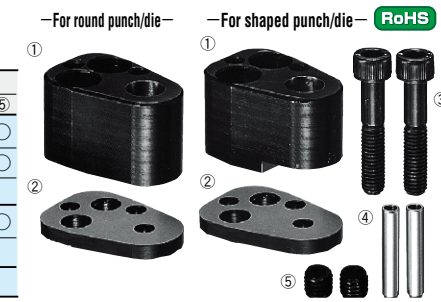


Catalog No.		D	D _{G6}	A	B	C	E	F	G	H	J	R	D ₁	d	t	d ₂	d ₁		A ③④⑤
Type																	BPC	BDC	
For round punch/die	10	+0.014 +0.005	37	20	21	35	20	10	9	29	9.5	14	9	10	10	6.2	7.4	3	M8-40
For shaped punch/die	13	+0.017 +0.006	43	26	23	38													
	16	+0.017 +0.006	44	24	26	40			12	34	14							5	MSW8
	20	+0.020 +0.007	48	28	27	42			16	14	36	17	17	11	12	12		3	M10-40
	25	+0.020 +0.007	50		30	46			18	17	39	19.5						4	MSTM6-30
	32		54	30	33	48			21	20	42	23						5	MSW8
	38	+0.025 +0.009	58		35	52			23	23	46	26	19	13	14	14		3	M12-40
	45		64	34	38	56			26	27	50	29.5						4	MSTM6-30
																		5	MSW8

Order **Catalog No.** DP-AP 25 **Price** **Quotation**

Days to Ship **Quotation**

For round punch·round button die					For shaped punch·shaped button die										
For round	Retainer No.	Catalog No.	Components					For shaped	Retainer No.	Catalog No.	Components				
			①	②	③	④	⑤				①	②	③	④	⑤
For punch	CA1	CP-AP	○	○	○	○	○	For punch	CF1	CP-FP	○	○	○	○	○
	CA2	CPAR	○	○	○	○	○		CF2	CPFR	○	○	○	○	○
		BPC	○	○	○	○	○			BPC	○	○	○	○	○
Button die		CP-AD	○	○	○	○	○	Button die		CP-FD	○	○	○	○	○
		BDC	○	○	○	○	○			BDC	○	○	○	○	○
Body only	CA3	CP-AN	○	○	○	○	○	Body only	CF3	CP-FN	○	○	○	○	○



Catalog No.		D	D _{G6}	A	B	C	E	F	G	H	J	R	D ₁	d	t	d ₂	d ₁		A ③④⑤
Type																	BPC	BDC	
For round punch/die	10	+0.014 +0.005	37	20	21	35	20	10	9	29	9.5	14	9	10	10	6.2	7.4	3	M8-40
For shaped punch/die	13	+0.017 +0.006	43	26	23	38													
	16	+0.017 +0.006	44	24	26	40			12	34	14							5	MSW8
	20	+0.020 +0.007	48	28	27	42			16	14	36	17	17	11	12	12		3	M10-40
	25	+0.020 +0.007	50		30	46			18	17	39	19.5						4	MSTM6-30
	32		54	30	33	48			21	20	42	23						5	MSW8
	38	+0.025 +0.009	58		35	52			23	23	46	26	19	13	14	14		3	M12-40
	45		64	34	38	56			26	27	50	29.5						4	MSTM6-30
																		5	MSW8

Order **Catalog No.** CP-AP 25 **Price** **Quotation**

Days to Ship **Quotation**

RETAINERS