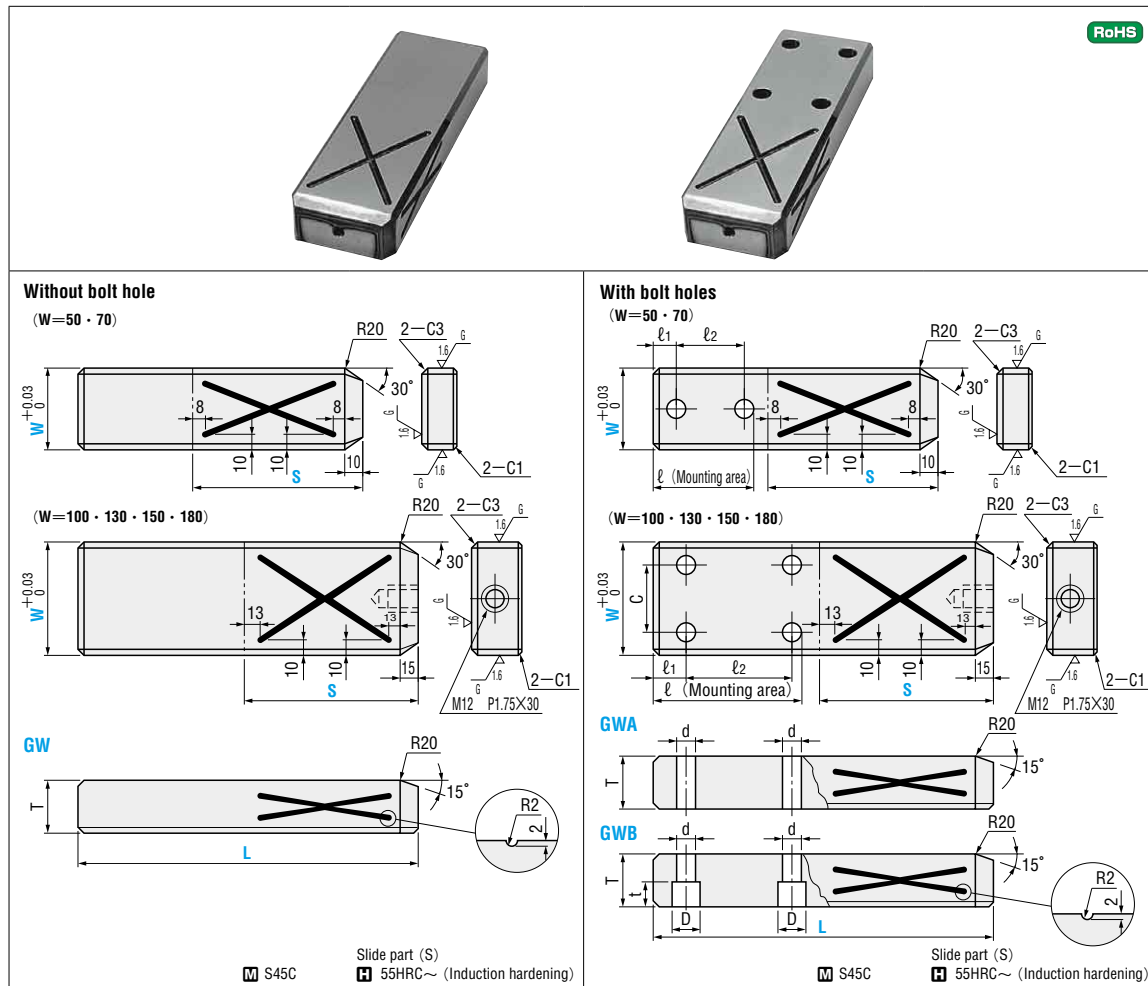


HEEL GUIDE PLATES WITH OIL GROOVES



HEEL GUIDE PLATES

— OIL-FREE SLIDE PLATE CHANGABLE TYPE —

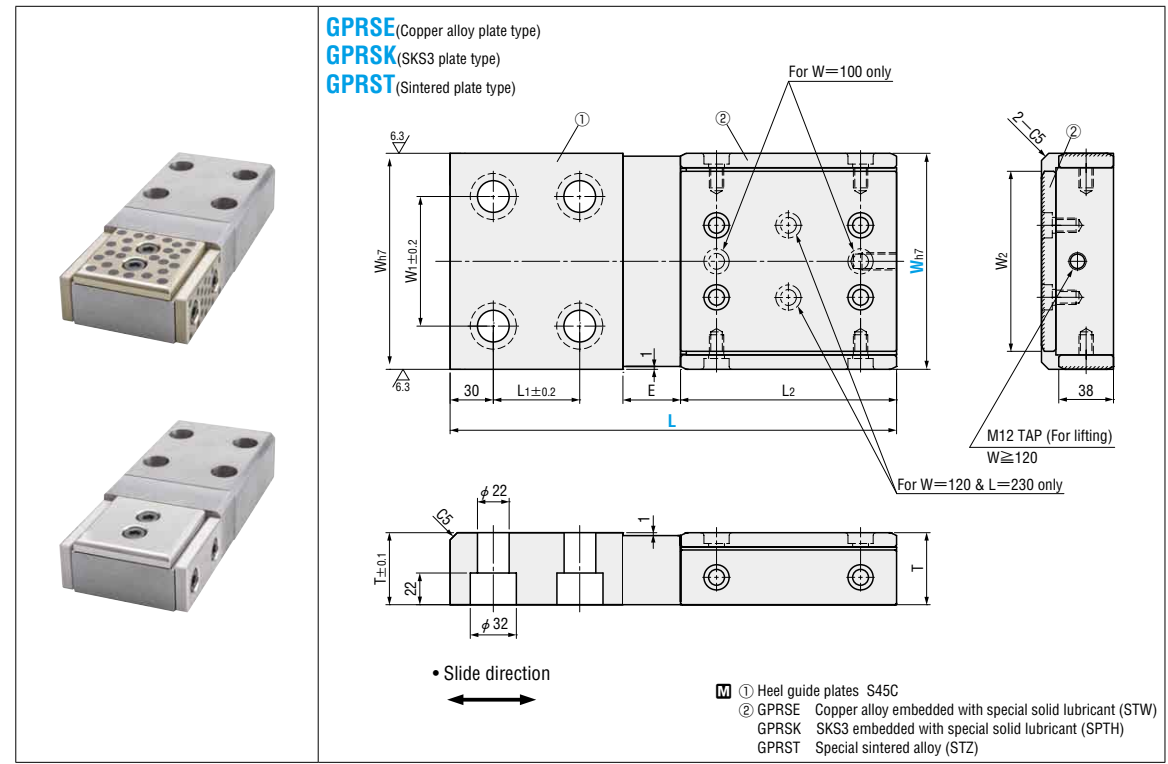


T	GWA·GWB							Catalog No.		S	L 10mm increments					
	ℓ	ℓ ₁	ℓ ₂	C	d	D	t	Type	W							
30	90	20	50	—	18	26	18	GW GWA GWB	50	60	150 ~ 180					
35	110	25	60	—						22	32	22	90	190 ~ 250		
					120	200 ~ 250										
45	150	30	90	60	22	32	22						100	230 ~ 350		
													180	270 ~ 320		
50	150	30	90	80									22	32	22	130
									180							330 ~ 400
60	160	35	90	100					22	32	22	150				340 ~ 450
												220				380 ~ 470
60	180	35	110	120	22	32	22					180				460 ~ 550
												200				380 ~ 470

Order **Catalog No.** — **S** — **L**
GW 100 — 180 — 350

P Price **Quotation**

Days to Ship **Quotation**



Wh7	W1	W2	L1	L2	T	E	②Qty. of mounting bolts	Catalog No.	W	L		
100	0 -0.035	60	75	60	75	45	6	GPRSE GPRSK GPRST	100	230		
				100	125					280		
				120	150					330		
			120	100	60					75	35	230
					100					125	45	280
					120					150	60	330
150	0 -0.040	90	125	60	125	50	8		150	280		
				100	150					35	330	
				120	180					60	390	
			150	125	60					125	35	280
					100					150	45	330
					120					180	60	390
150	125	125	140	150	80	430						

Order **Catalog No.** **W** — **L**
GPRSE 100 — 280
GPRSK 120 — 390
GPRST 150 — 330

Days to Ship **Quotation**

Price **Quotation**

GUIDING COMPONENTS FOR AUTOMOTIVE DIES