

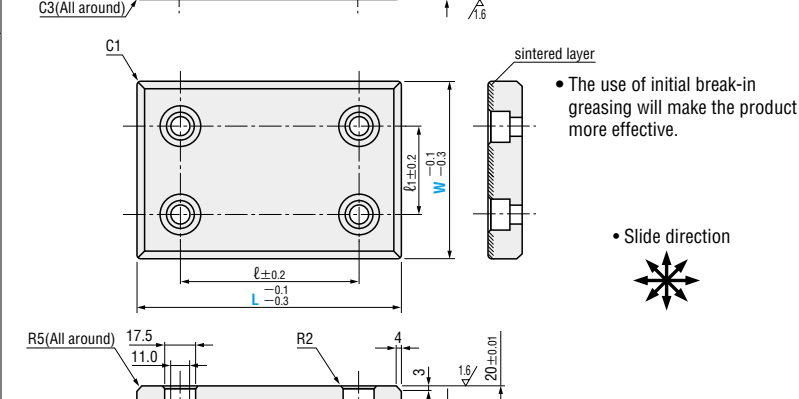
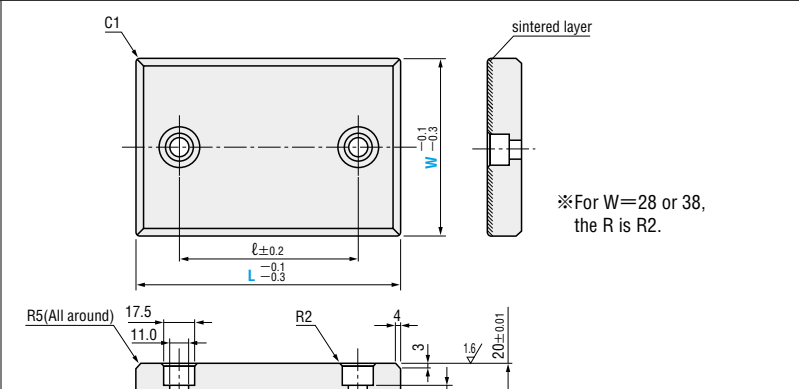
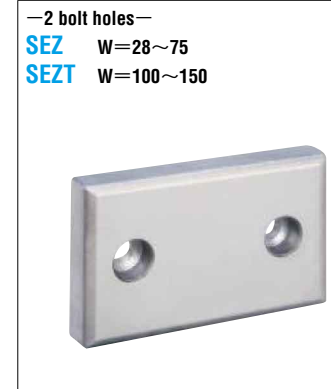
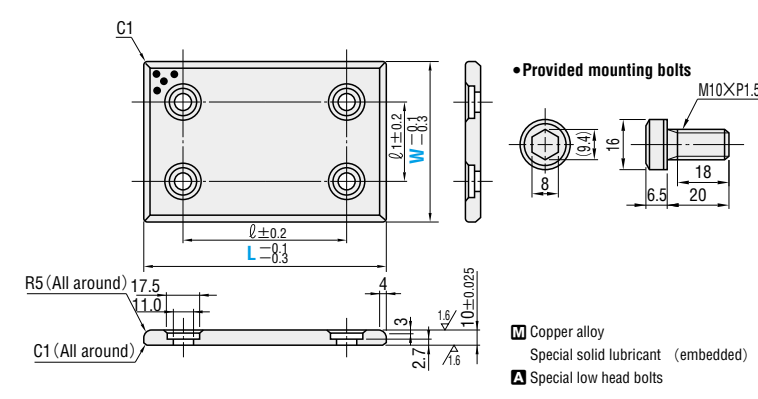
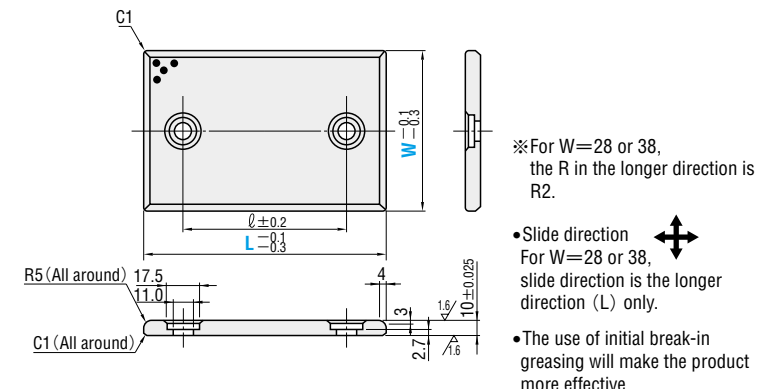
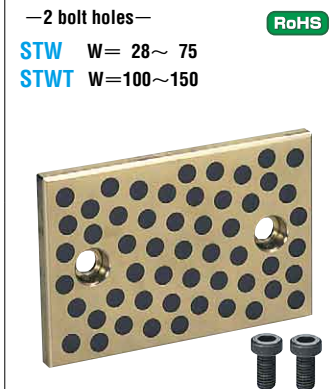
OIL-FREE SLIDE PLATES

— COPPER ALLOY 10mm TYPE · 2 BOLT HOLES / 4 BOLT HOLES —



OIL-FREE SLIDE PLATES

— SINTERED ALLOY 20mm TYPE · 2 BOLT HOLES / 4 BOLT HOLES —



| ℓ | Catalog No. | W | L |
|-----|---------------------------------|-----|-----|
| 45 | — 2 bolt holes — STW | 28 | 75 |
| 50 | | | 100 |
| 75 | | | 125 |
| 100 | | | 150 |
| 150 | | | 200 |
| 45 | | 38 | 75 |
| 50 | | | 100 |
| 75 | | | 125 |
| 100 | | | 150 |
| 150 | | | 200 |
| 45 | 48 | 75 | |
| 50 | | 100 | |
| 75 | | 125 | |
| 100 | | 150 | |
| 150 | | 200 | |
| 25 | 58 | 75 | |
| 50 | | 100 | |
| 75 | | 125 | |
| 100 | | 150 | |
| 150 | | 200 | |
| 25 | 75 | 75 | |
| 50 | | 100 | |
| 75 | | 125 | |
| 100 | | 150 | |
| 150 | | 200 | |
| 50 | — 2 bolt holes — STWT | 100 | 100 |
| 75 | | | 125 |
| 100 | | | 150 |
| 150 | | | 200 |
| 200 | | | 250 |
| 100 | | 125 | 150 |
| 150 | | | 200 |
| 200 | | | 250 |
| 100 | | | 150 |
| 150 | | | 200 |

| ℓ | ℓ ₁ | Catalog No. | W | L | | |
|-----|----------------|--------------------------------|-----|-----|-----|-----|
| 50 | 50 | — 4 bolt holes — STW | 100 | 100 | | |
| 75 | | | | 125 | | |
| 100 | | | | 150 | | |
| 150 | | | | 200 | | |
| 200 | | | | 250 | | |
| 100 | 50 | 125 | 150 | 200 | | |
| 150 | | | | 250 | | |
| 200 | | | | 300 | | |
| 100 | | | | 100 | 150 | 200 |
| 150 | | | | | | 250 |
| 200 | 300 | | | | | |

Order **Catalog No.** **W** — **L**
STW 75 — 100
STWT 100 — 200

Days to Ship **Quotation**

Price **Quotation**

■ Shims for oil-free slide plates P.1142

| ℓ | Catalog No. | W | L |
|------|---------------------------------|-----|-----|
| 45 | — 2 bolt holes — SEZ | 28 | 75 |
| 50 | | | 100 |
| 75 | | | 125 |
| 100 | | | 150 |
| 150 | | | 200 |
| 100* | | 38 | 75 |
| 45 | | | 100 |
| 50 | | | 150 |
| 75 | | | 200 |
| 100 | | | 250 |
| 45 | 48 | 75 | |
| 50 | | 100 | |
| 75 | | 125 | |
| 100 | | 150 | |
| 150 | | 200 | |
| 25 | 58 | 75 | |
| 50 | | 100 | |
| 75 | | 125 | |
| 100 | | 150 | |
| 150 | | 200 | |
| 25 | 75 | 75 | |
| 50 | | 100 | |
| 75 | | 125 | |
| 100 | | 150 | |
| 150 | | 200 | |
| 50 | — 2 bolt holes — SEZT | 100 | 100 |
| 75 | | | 125 |
| 100 | | | 150 |
| 150 | | | 200 |
| 200 | | | 250 |
| 100 | | 125 | 150 |
| 150 | | | 200 |
| 200 | | | 250 |
| 100 | | | 150 |
| 150 | | | 200 |
| 100 | 150 | 150 | |
| 150 | | 200 | |
| 200 | | 250 | |
| 100 | | 150 | |
| 150 | | 200 | |

| ℓ | ℓ ₁ | Catalog No. | W | L | | |
|-----|----------------|--------------------------------|-----|-----|-----|-----|
| 50 | 50 | — 4 bolt holes — SEZ | 100 | 100 | | |
| 75 | | | | 125 | | |
| 100 | | | | 150 | | |
| 150 | | | | 200 | | |
| 200 | | | | 250 | | |
| 200 | 50 | 125 | 150 | 200 | | |
| 250 | | | | 250 | | |
| 300 | | | | 300 | | |
| 100 | | | | 100 | 150 | 200 |
| 150 | | | | | | 250 |
| 200 | 300 | | | | | |

Order **Catalog No.** **W** — **L**
SEZ 75 — 125

Days to Ship **Quotation**

Price **Quotation**

ℓ with mark "*" is different from that of copper alloy slide plate.