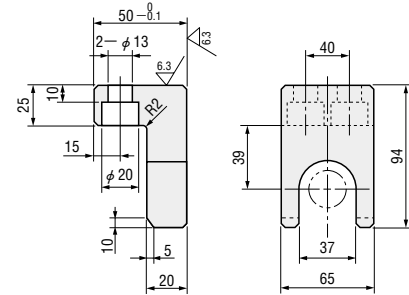




RETURNING UNITS FOR CAM SLIDER NO INTIAL PRESSURE TYPE



⑤ SURP (Slide angle)



CUSL 60
CUSF 60

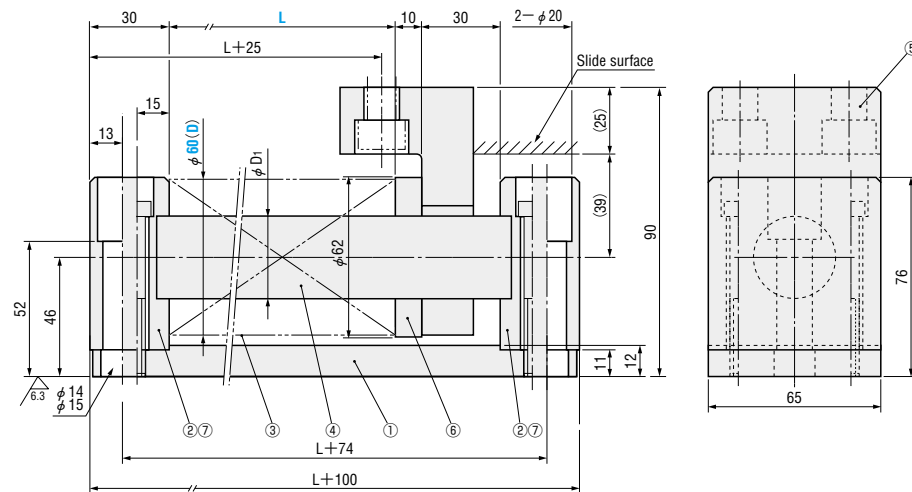


Table of Components

No.	Name	Quantity	Material, Remarks	No.	Name	Quantity	Material, Remarks
①	Base plate	1	SS400	⑤	Slide angle	1	SS400
②	Fixed plate	2	SS400	⑥	Separate disk	1	FC250
③	Coil spring	1	MISUMI spring	⑦	Hexagon socket head cap screw	4	SCM435
④	Guide pin	1	S45C				

Coil spring	1 million times		300 thousand times		Spring constant N/mm (kgf/mm)	D1	Catalog No.	(D)	L
	Stroke	Load N (kgf)	Stroke	Load N (kgf)					
SWL60—125	40	3816 (389)	50	4770 (486)	95.4{9.73}	28.6	CUSL	60	125
SWL60—150	48		60		79.5{8.11}				150
SWL60—175	56		70		68.1{6.95}				175
SWL60—200	64		80		59.6{6.08}				200
SWL60—250	80		100		47.7{4.86}				250
SWL60—300	96		120	39.8{4.05}	300				
SWF60—125	50	2256 (230)	62.5	2820 (288)	45.1{4.60}	31.8	CUSF	60	125
SWF60—150	60		75		37.6{3.83}				150
SWF60—175	70		87.5		32.2{3.29}				175
SWF60—200	80		100		28.2{2.88}				200
SWF60—250	100		125		22.6{2.30}				250
SWF60—300	120		150		18.8{1.92}				300

Order **Catalog No.** (D) — L
CUSL 60 — 200

Days to Ship **Quotation**

Price **Quotation**

⑤ Slide angle

Used for	Catalog No.	(D)
CUSL60	SURP	60
CUSF60		

Order **Catalog No.** (D)
SURP 60

Days to Ship **Quotation**

Price **Quotation**