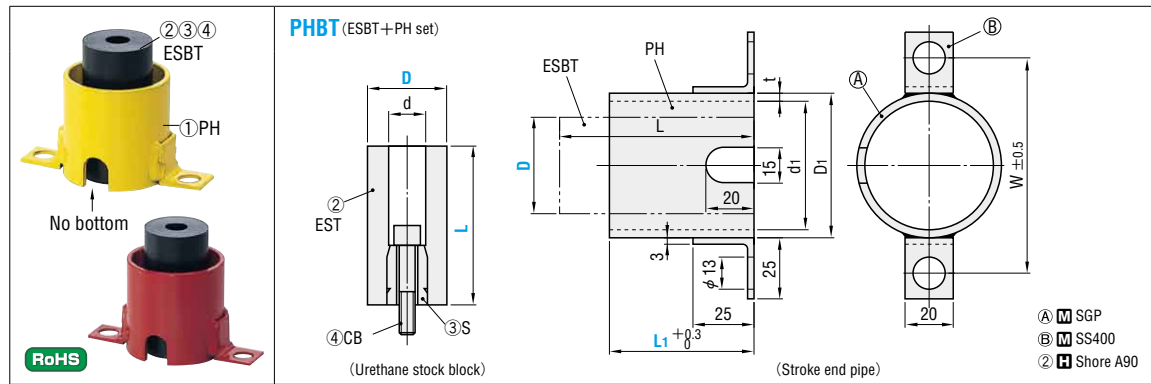
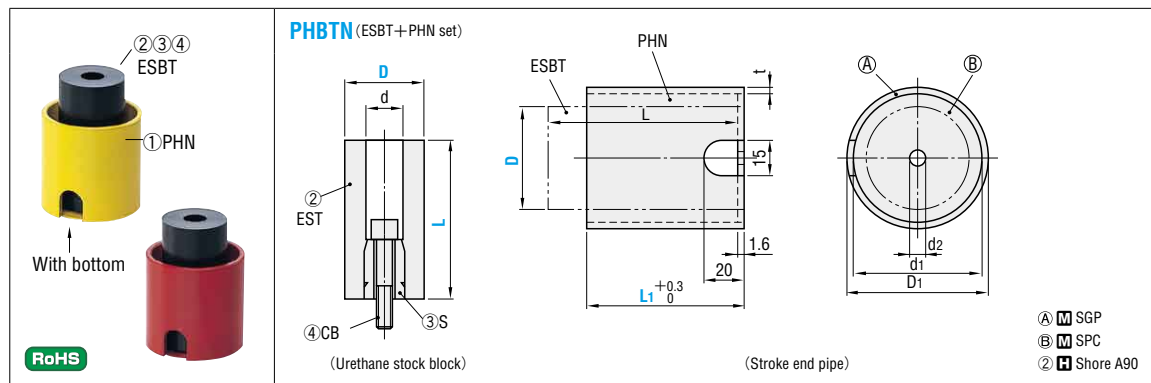


# URETHANE STOCK BLOCK SETS



Urethane stock blocks ②③④ESBT			Stroke end pipes ①PH					Sleeve ③S	Bolt ④	Catalog No.		L	L <sub>1</sub>	Color	Base unit price 1 ~ 9 sets
D	L	d	D <sub>1</sub>	L <sub>1</sub>	d <sub>1</sub>	t	W		Type	D					
40	80		60.5	60	52.9	3.8	91	S14	PHBT	40	80	60	R (Red)	Quotation	
50	110		89.1	85	80.7	119	50			110	85				
70		14	101.6	100	93.2	4.2	132			70	140	100			
90	140		139.8	100	130.8	4.5	170	S22	PHBT	90	140	90	Y (Yellow)	Quotation	
				110						110	110				
100		22	165.2	100	155.2	5.0	195			100	140	100			

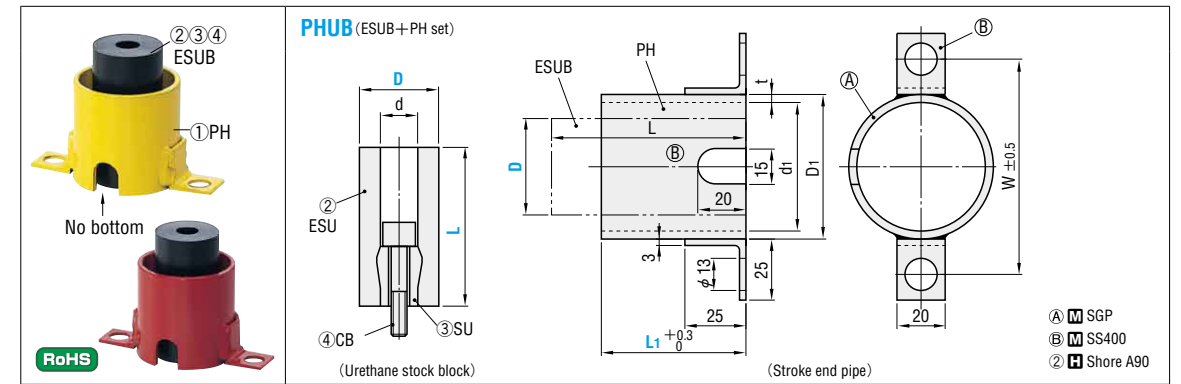


Urethane stock block ②③④ESBT			Stroke end pipe ①PHN					Sleeve ③S	Bolt ④	Catalog No.		L	L <sub>1</sub>	Color	Base unit price 1 ~ 9 sets
D	L	d	D <sub>1</sub>	L <sub>1</sub>	d <sub>1</sub>	d <sub>2</sub>	t		Type	D					
40	80		60.5	60	52.9		3.8	S14	PHBTN	40	80	60	R (Red)	Quotation	
50	110	14	89.1	85	80.7	9	4.2			50	110	85			
70			101.6	100	93.2		4.2			70	140	100			
90	140		139.8	110	130.8	13	4.5	S22	PHBTN	90	140	110	Y (Yellow)	Quotation	
100		22	152.5	100	142.5	5.0	5.0			100	140	110			

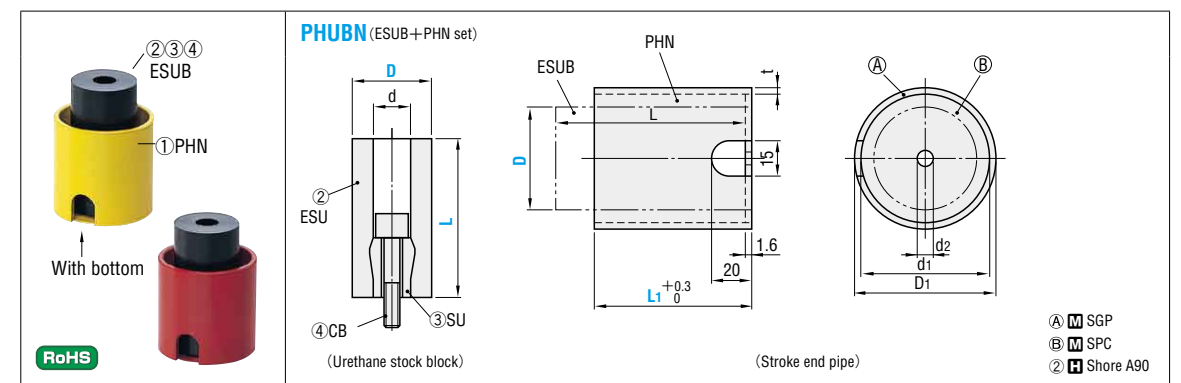
Order	Catalog No.	L	L <sub>1</sub>	Color
	PHBT 50	110	85	R
	PHBTN 70	140	110	Y
	PHUB 40	80	60	R
	PHUBN 90	140	110	Y

Days to Ship **Quotation**

Price **Quotation**



Urethane stock block ②③④ESUB			Stroke end pipe ①PH					Sleeve ③SU	Bolt ④	Catalog No.		L	L <sub>1</sub>	Color	Base unit price 1 ~ 9 sets
D	L	d	D <sub>1</sub>	L <sub>1</sub>	d <sub>1</sub>	t	W		Type	D					
40	80	14	60.5	60	52.9	3.8	91	SU14	PHUB	40	80	60	R (Red)	Quotation	
90	140	22	139.8	90	130.8	4.5	170	SU22		90	140	90	Y (Yellow)		



Urethane stock block ②③④ESUB			Stroke end pipe ①PHN					Sleeve ③SU	Bolt ④	Catalog No.		L	L <sub>1</sub>	Color	Base unit price 1 ~ 9 sets
D	L	d	D <sub>1</sub>	L <sub>1</sub>	d <sub>1</sub>	d <sub>2</sub>	t		Type	D					
40	80	14	60.5	60	52.9	9	3.8	SU14	PHUBN	40	80	60	R (Red)	Quotation	
70	110	22	101.6	85	93.2	13	4.2	SU22		70	110	85			
90	140	22	139.8	110	130.8	13	4.5	SU22		90	140	110			

### List of stroke end pipe and urethane stock block combinations

Set name	Stroke end pipe	Urethane stock block		
		Components		
		②Urethane	③Sleeve	④Bolt
PHBT	PH (P.1543)	ESBT (P.1544)	EST (P.1544)	S (P.1544)
PHBTN	PHN (P.1543)			
PHUB	PH (P.1543)	ESUB (P.1544)	ESU (P.1544)	SU (P.1544)
PHUBN	PHN (P.1543)			